

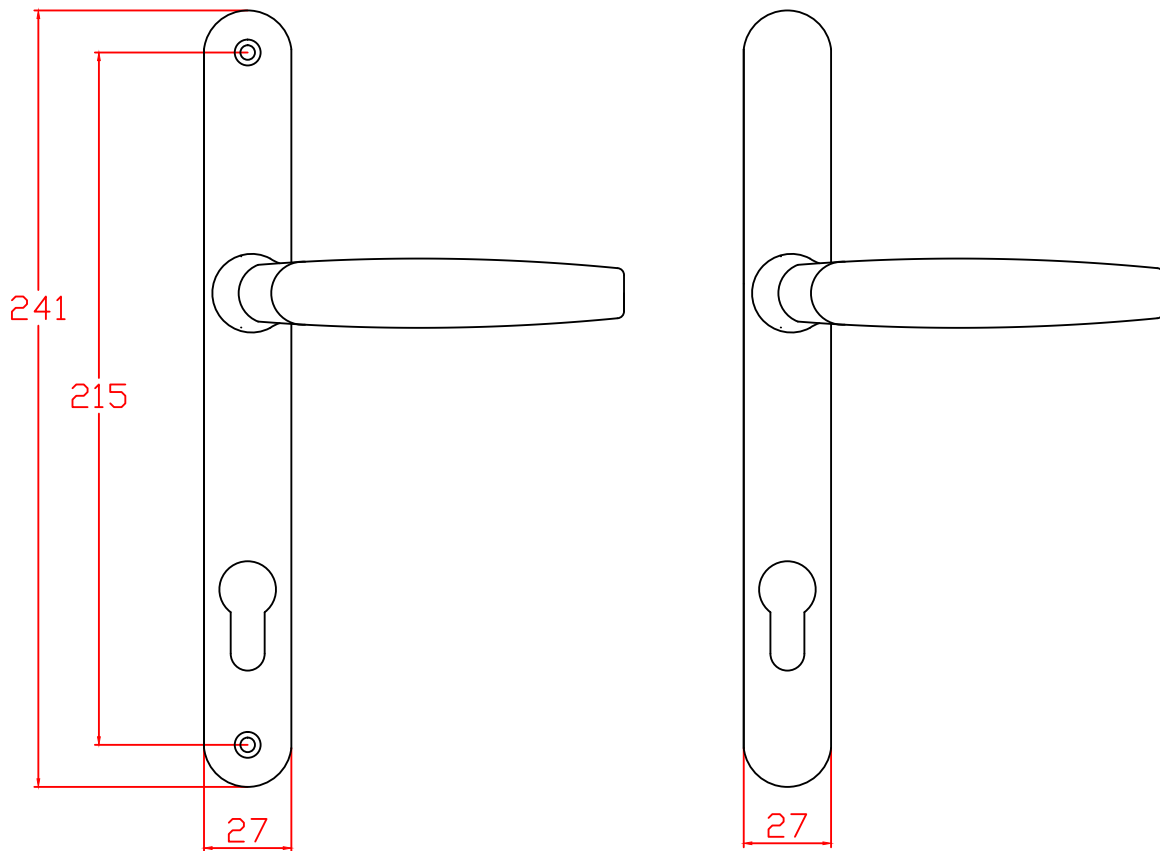
△	- -	No Modifications	No Modifications	
△	- -	No Modifications	No Modifications	
△	- -	No Modifications	No Modifications	
△	- -	No Modifications	No Modifications	
△	- -	No Modifications	No Modifications	

Cast Aluminium Levers, Aluminium Backplate With Stainless Steel Under-Construction.

Fixing Lugs Fitted On Both Backplates For A Secure Fit.

Pack Contents:

- 1 X 8mm X 130mm Spindle
- 2 X M5 X 70mm
- 2 X M5 X 80mm



<b>CAD Drawing Please Do Not Update Manually</b>	<b>WINDOW WARE</b> Telford Way, Cross Park, Bedford, Bedfordshire MK42 0PQ	
	Drawn By: RV Date Drawn: 28/03/11 Dimension(s): MM Finish: Material:	<b>Description:</b> <b>Hoppe 'Atlanta' 240mm Backplate          Lever/Lever</b>
Additional Information:	DWG No.	Issue No. 1
	Page 1 of 1 Scale 1:1	