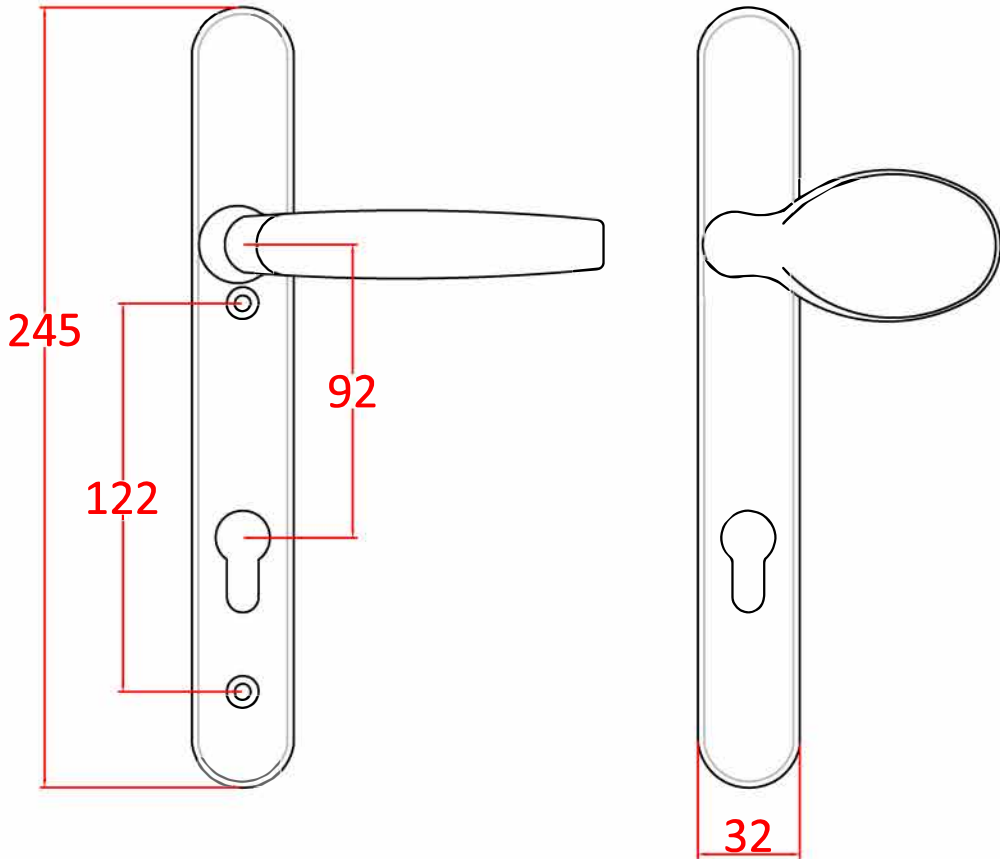


△	- -	No Modifications	No Modifications	
△	- -	No Modifications	No Modifications	
△	- -	No Modifications	No Modifications	
△	- -	No Modifications	No Modifications	
△	- -	No Modifications	No Modifications	



Additional Information:

<b>CAD Drawing Please Do Not Update Manually</b>	
Drawn By:	RV
Date Drawn:	01/05/15
Dimension(s):	MM
Finish:	
Material:	



Telford Way, Cross Park,  
Bedford, Bedfordshire  
MK42 0PQ

**Description:**  
**Hoppe Atlanta Door Handle**

DWG No.  
PRC0000401\_2

ISSUE NO.  
1