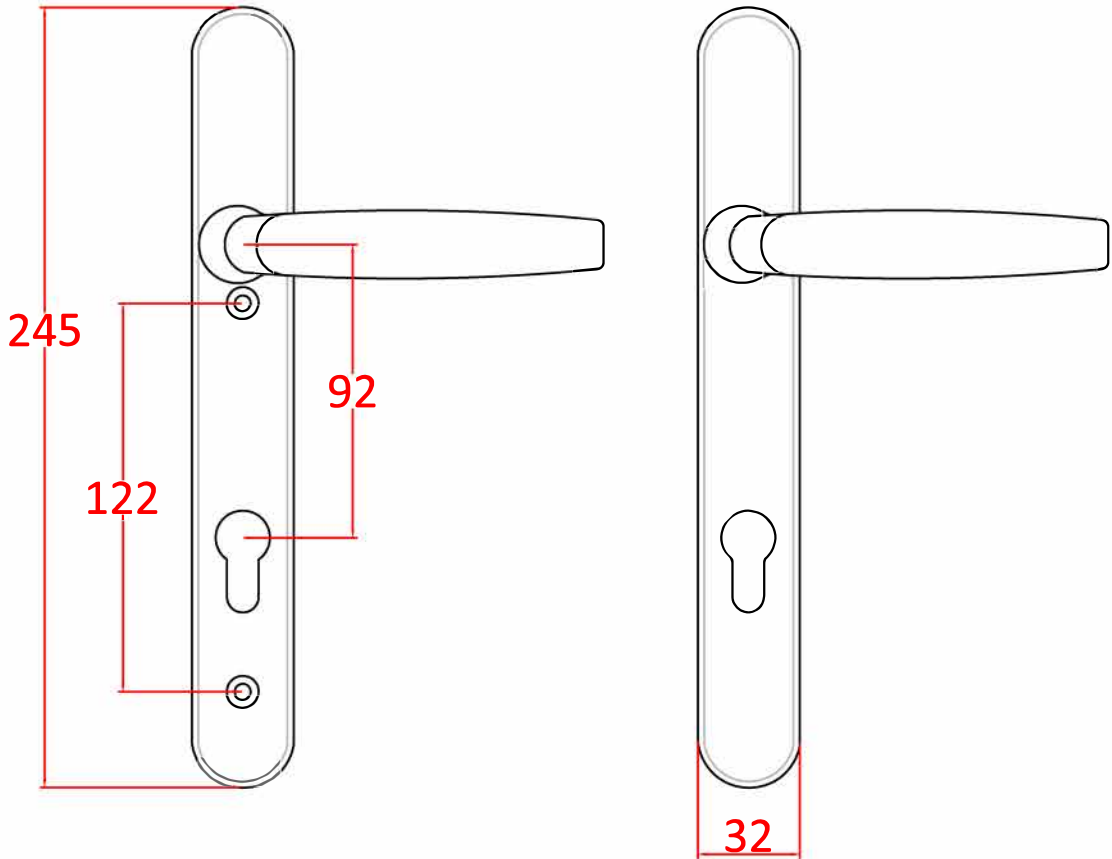


△	- -	No Modifications	No Modifications	
△	- -	No Modifications	No Modifications	
△	- -	No Modifications	No Modifications	
△	- -	No Modifications	No Modifications	
△	- -	No Modifications	No Modifications	



~~Additional Information:~~

**CAD Drawing Please
Do Not Update
Manually**



Telford Way, Cross Park,
Bedford, Bedfordshire
MK42 0PQ

Drawn By:	RV
Date Drawn:	01/05/15
Dimension(s):	MM
Finish:	
Material:	

Description:
Hoppe Atlanta Door Handle

DWG No.
PRC0000401

ISSUE NO.
1