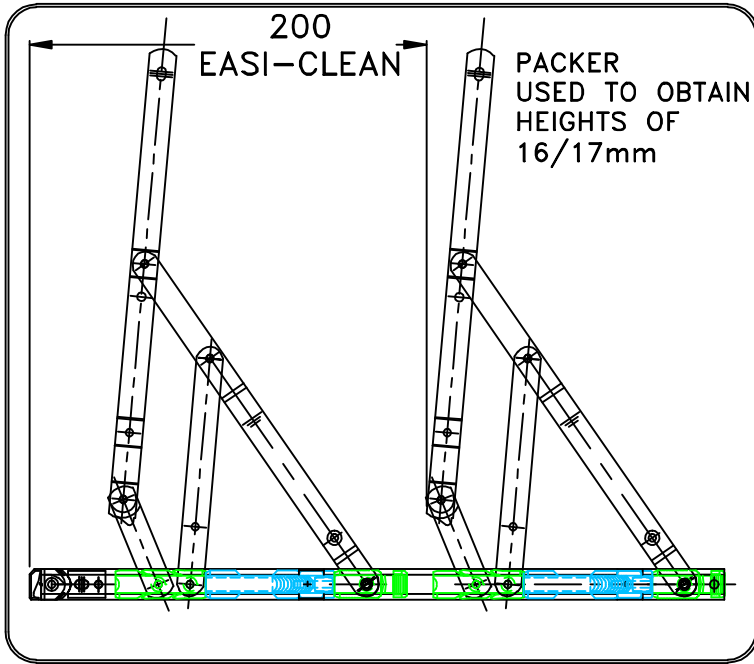
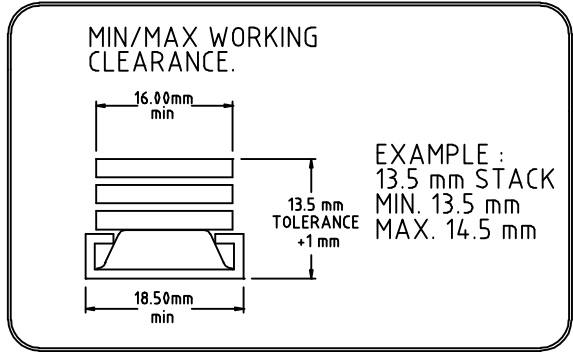


ISSUE	E.C.N.	DATE	MOD. BY.
5	6331	14.06.05	B.J.B

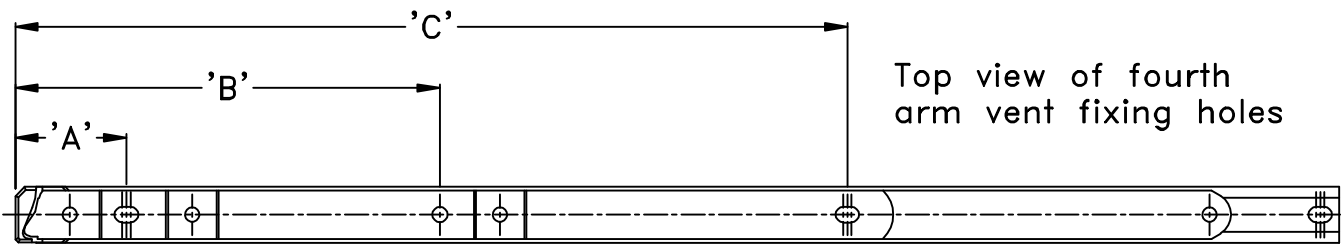


SP316 EZ 16

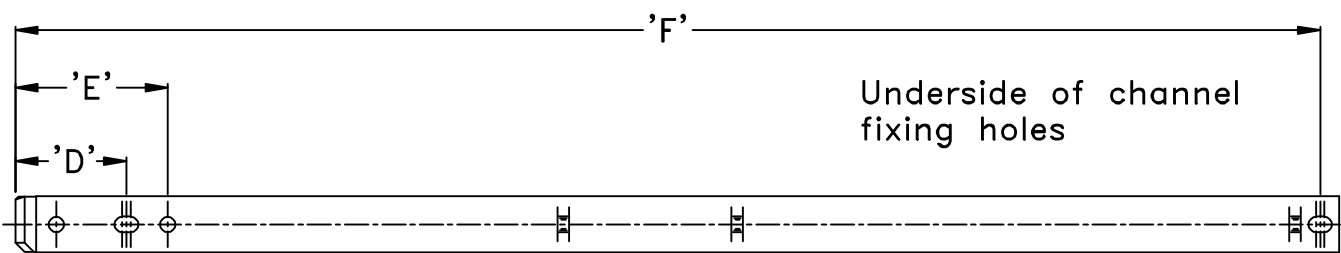
SIDE HUNG FRICTION STAYS



When applied to a 600mm X 1200mm (Rebate Size) casement window, the SP316EZ side hung friction stay allows a full clear opening in excess of 500mm wide . When fitting the SP316 EZ please observe BS8213 Part 1: 1991. Code of Practice for safety in use and during cleaning of windows.



Top view of fourth arm vent fixing holes



Underside of channel fixing holes

FIXING HOLE DETAILS								
	STACK HEIGHT	SIZE	A	B	C	D	E	F
SP316EZ	13.5 & 16/17mm	16"	34.4	138.4	271.4	31.3	41.3	407.2

RECOMMENDED MAX. WINDOW WEIGHTS & SIZES							
SP316 EZ	SIZE		WINDOW SIZE APPROX. WIDTH	WINDOW SIZE APPROX. HEIGHT	WEIGHT Kg.	APPROX. Lbs.	OPENING ANGLE
	INS.	MM.					
	16	413	600	1200	21	46	89°

QCF177/0

IT IS THE RESPONSIBILITY OF THE WINDOW MANUFACTURER TO ENSURE THAT THE FINISHED WINDOWS MEET ANY REQUIRED SAFETY AND PERFORMANCE SPECIFICATIONS.

Designed by:
B.J.B
Date
24.01.03

Filename:
80001237.DWG
DRG No.
80001237