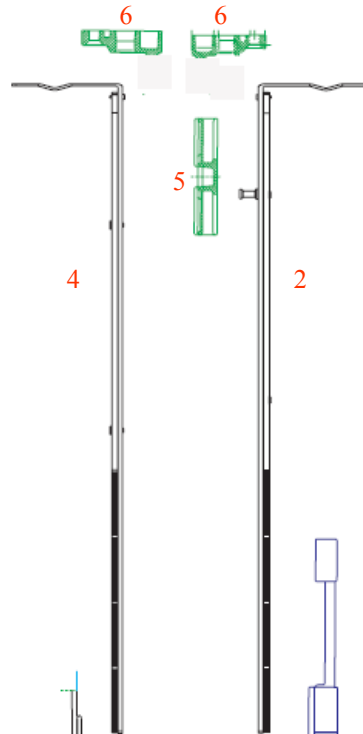


Maco French Casement

No.1/3 Master/Slave Gearboxes

Part No.	Description:
MAC11033	MK2 G/Box 20mm B/S 7.7mm Cam
MAC11034	MK2 G/Box 22mm B/S 7.7mm Cam
MAC11035	MK2 G/Box 20mm B/S 9mm Cam
MAC11037	MK2 G/Box 22mm B/S 9mm Cam
MAC57175	MK1 G/Box 20mm B/S
MAC57176	MK1 G/Box 22mm B/S

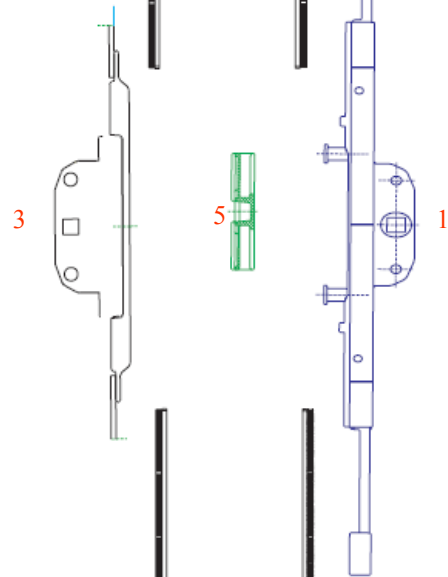
You will need:
 Either a MK1 or MK2 Gearbox for the master sash.
 A MK2 will however offer better compression and more security.
 And
 A MK1 gearbox for the slave sash.



No.2 Master Extensions

Part No.	Description:
MAC57143	MK2 600-1000mm SRH Ext, (1X) 7.7mm Cam
MAC57144	MK2 1001-1400mm SRH Ext, (1X) 7.7mm Cam
MAC57143	MK1 600-1000mm SRH Ext, (1X) 7.7mm Cam
MAC57145	MK1 1001-1400mm SRH Ext, (2X) 7.7mm Cam

Please note 9mm Cam extensions are special order.
 You will need 2 extension arms per casement.



No.4 Slave Extensions

Part No.	Description:
MAC57141	Slave Extensions 600-1000mm SRH
MAC57142	Slave Extensions 1001-1400mm SRH

You will need 2 extension arms per casement.

No.5 Mushroom Strikers - Profile Specific

3 X required on most sizes, 5 X required when using MAC57145.

No.6 Shoot Bolt Strikers No Legs - Profile Specific

Please note: No.6 is the French casement shoot bolt striker, these are shoot bolt strikers without legs to stop the centre mullion fouling. These may be special order and in some cases have not been made due to no enquiries made for that profile.

Also for some profiles it is possible for us either to supply or obtain through special order Adjustable French Casement Strikers which are very similar to the standard French casement striker but have adjustment on them. This is still subject to whether they have been created and whether there is stock with the supplier.

