

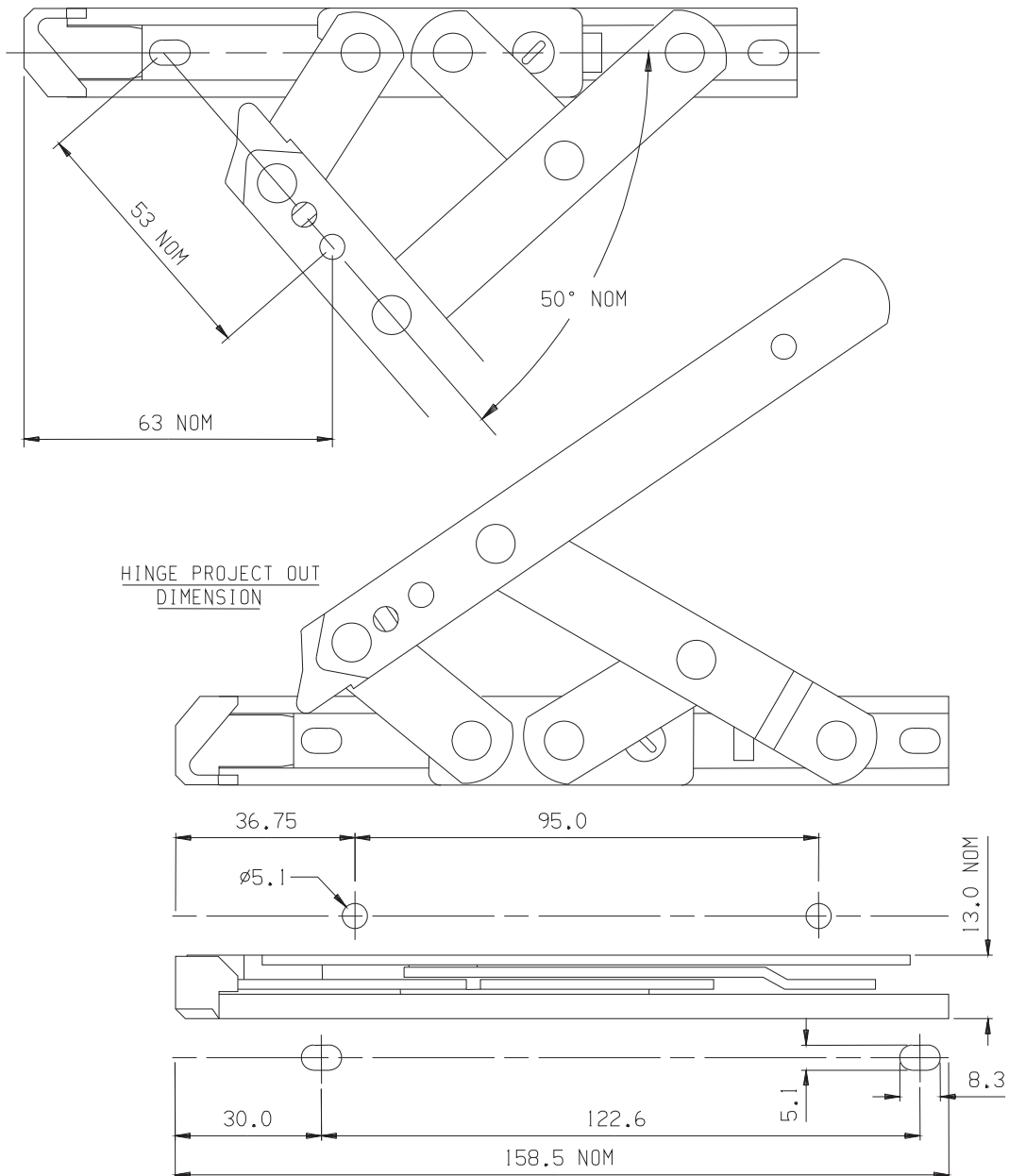
# HINGES

DEFENDER® HINGES

SECTION 1.2 SHEET 1 of 17

ISSUE: May, 2003

## ASSEMBLY SHEET – DT6 Top Hung Hinge



Hinge Code	Max. Vent Weight (Kg)	Min. Vent Height (mm)	Max. Vent Height (mm)	Max. Vent Width (mm)	Hardware Cavity (mm)
DT6	10	150	300	See profile manufacturers recommendations	13 - 14

**Not to Scale, All dimensions in mm**

It is the responsibility of the user to ensure that this document is at the latest issue.

Due to our policy of continual product improvement we reserve the right to alter specifications without notice.

It is the responsibility of the window manufacturer to ensure that the finished window meets the required performance and safety specification.

© SECURISTYLE LTD 2003



Securistyle Ltd.  
Kingsmead Industrial Estate  
Princess Elizabeth Way, Cheltenham,  
Gloucestershire, GL51 7RE  
Tel: +44 (0) 1242 221200  
Fax: +44 (0) 1242 520828  
Web: www.securistyle.co.uk

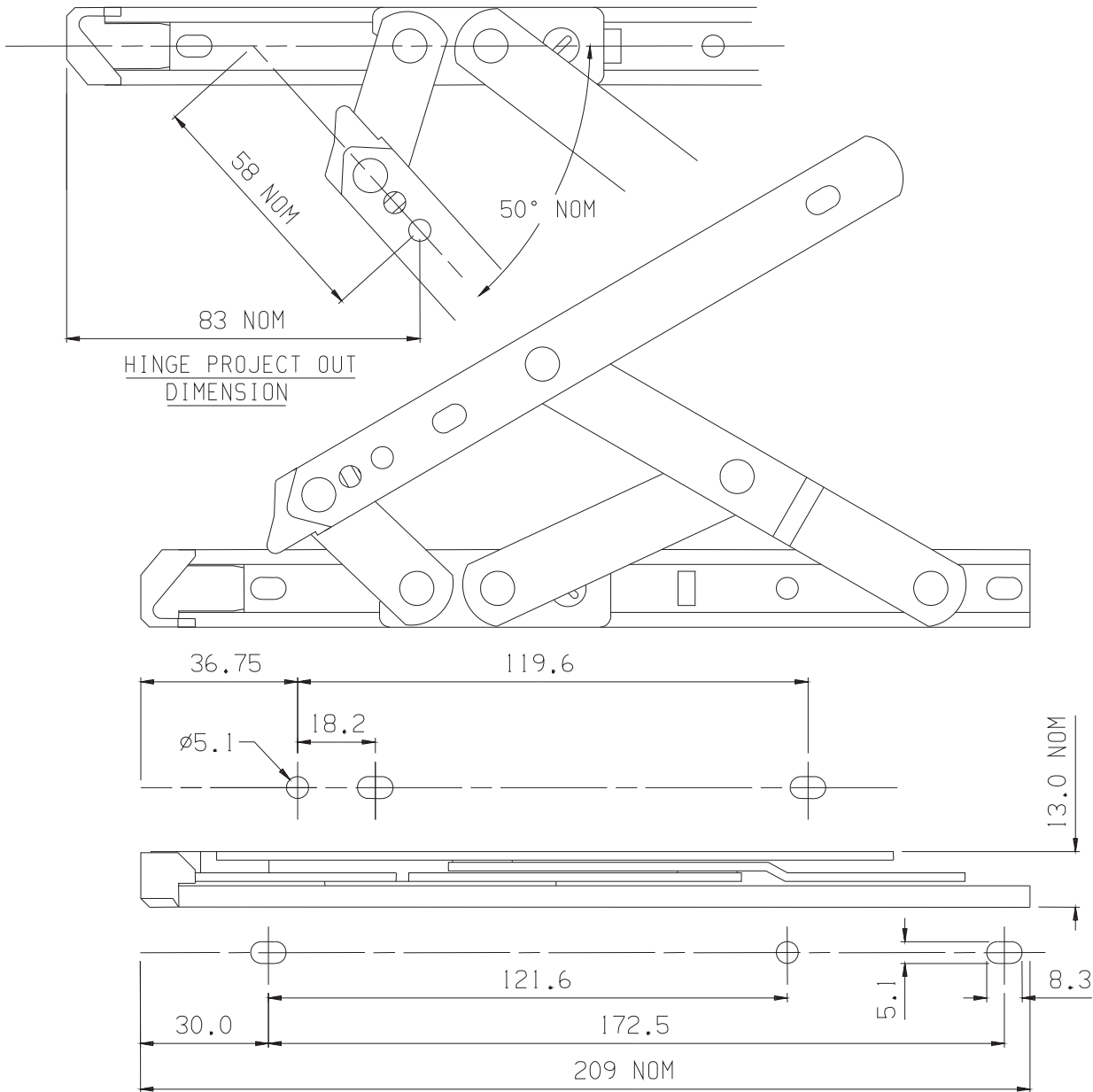
# HINGES

DEFENDER® HINGES

SECTION 1.2 SHEET 2 of 17

ISSUE: May, 2003

## ASSEMBLY SHEET – DT8 Top Hung Hinge



Hinge Code	Max. Vent Weight (Kg)	Min. Vent Height (mm)	Max. Vent Height (mm)	Max. Vent Width (mm)	Hardware Cavity (mm)
DT8	12	200	350	See profile manufacturers recommendations	13 - 14

**Not to Scale, All dimensions in mm**

It is the responsibility of the user to ensure that this document is at the latest issue.

Due to our policy of continual product improvement we reserve the right to alter specifications without notice.

It is the responsibility of the window manufacturer to ensure that the finished window meets the required performance and safety specification.

© SECURISTYLE LTD 2003



Securistyle Ltd.  
Kingsmead Industrial Estate  
Princess Elizabeth Way, Cheltenham,  
Gloucestershire, GL51 7RE  
Tel: +44 (0) 1242 221200  
Fax: +44 (0) 1242 520828  
Web: www.securistyle.co.uk

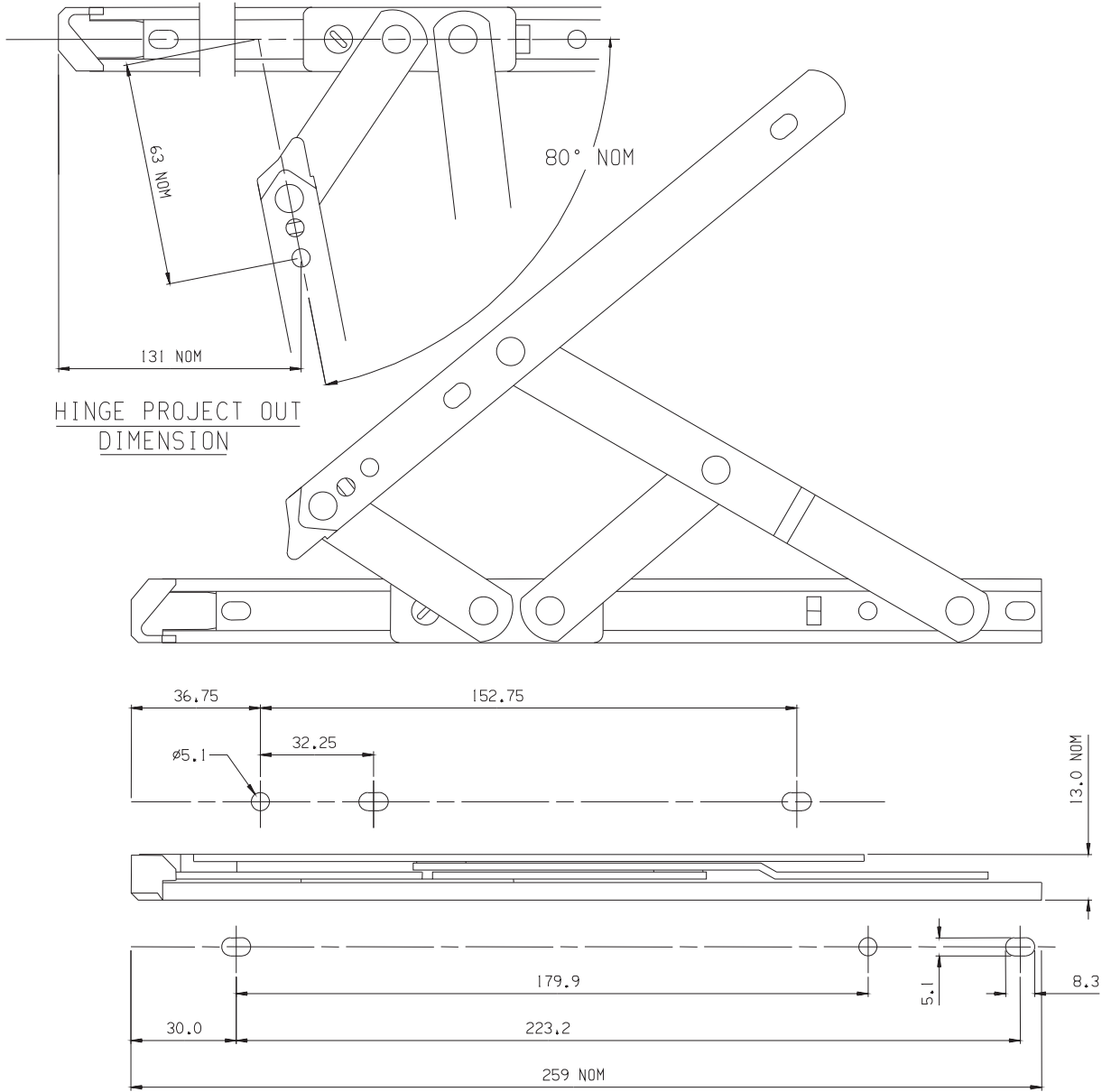
# HINGES

DEFENDER® HINGES

SECTION 1.2 SHEET 3 of 17

ISSUE: May, 2003

## ASSEMBLY SHEET – DT10 Top Hung Hinge



HINGE PROJECT OUT  
DIMENSION

Hinge Code	Max. Vent Weight (Kg)	Min. Vent Height (mm)	Max. Vent Height (mm)	Max. Vent Width (mm)	Hardware Cavity (mm)
DT10	16	275	400	See profile manufacturers recommendations	13 - 14

**Not to Scale, All dimensions in mm**

It is the responsibility of the user to ensure that this document is at the latest issue.

Due to our policy of continual product improvement we reserve the right to alter specifications without notice.

It is the responsibility of the window manufacturer to ensure that the finished window meets the required performance and safety specification.

© SECURISTYLE LTD 2003



Securistyle Ltd.  
Kingsmead Industrial Estate  
Princess Elizabeth Way, Cheltenham,  
Gloucestershire, GL51 7RE  
Tel: +44 (0) 1242 221200  
Fax: +44 (0) 1242 520828  
Web: www.securistyle.co.uk

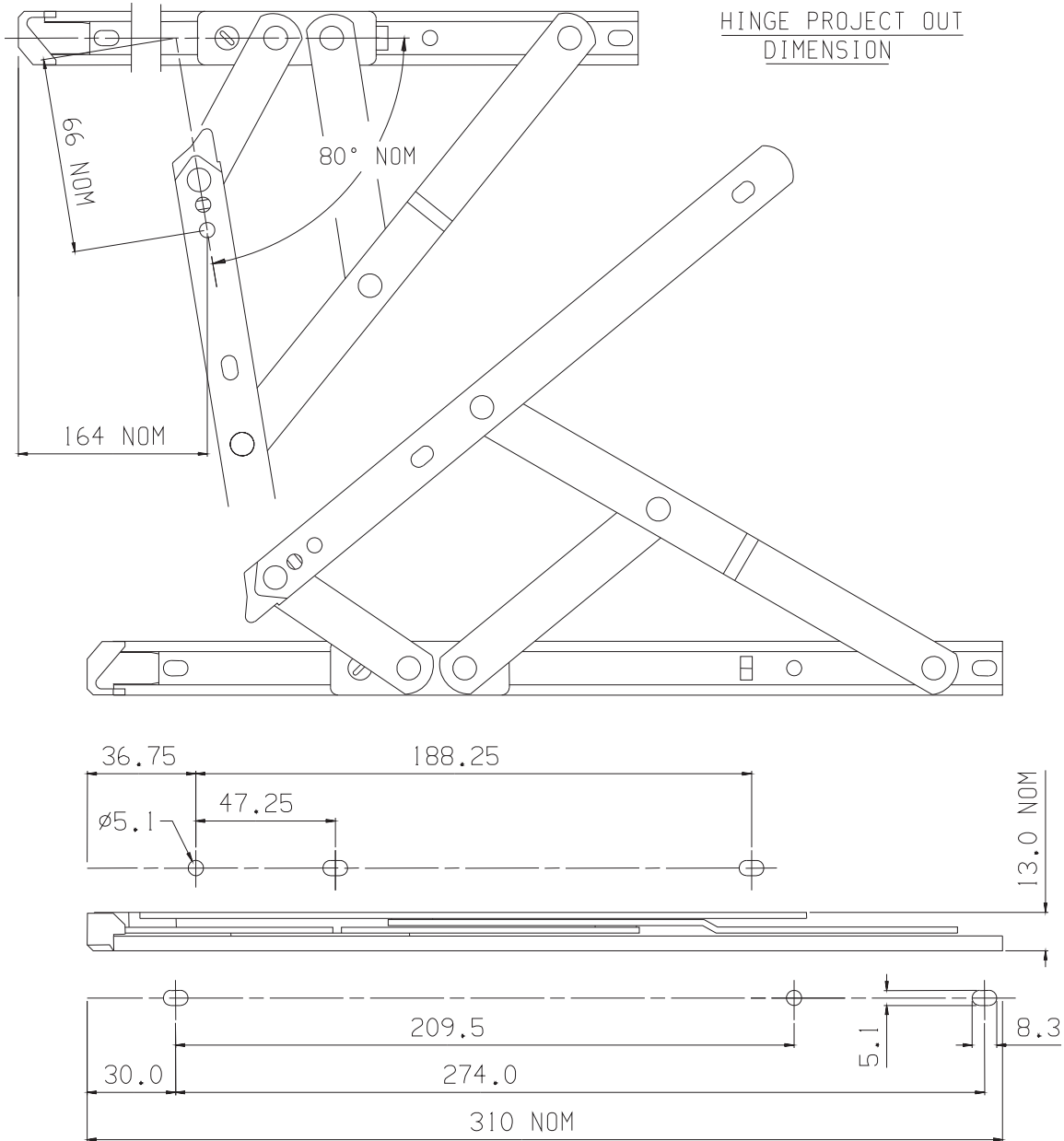
# HINGES

DEFENDER® HINGES

SECTION 1.2 SHEET 4 of 17

ISSUE: May, 2003

## ASSEMBLY SHEET – DT12 Top Hung Hinge



Hinge Code	Max. Vent Weight (Kg)	Min. Vent Height (mm)	Max. Vent Height (mm)	Max. Vent Width (mm)	Hardware Cavity (mm)
DT12	20	350	550	See profile manufacturers recommendations	13 - 14

**Not to Scale, All dimensions in mm**

It is the responsibility of the user to ensure that this document is at the latest issue.

Due to our policy of continual product improvement we reserve the right to alter specifications without notice.

It is the responsibility of the window manufacturer to ensure that the finished window meets the required performance and safety specification.

© SECURISTYLE LTD 2003



Securistyle Ltd.  
Kingsmead Industrial Estate  
Princess Elizabeth Way, Cheltenham,  
Gloucestershire, GL51 7RE  
Tel: +44 (0) 1242 221200  
Fax: +44 (0) 1242 520828  
Web: www.securistyle.co.uk

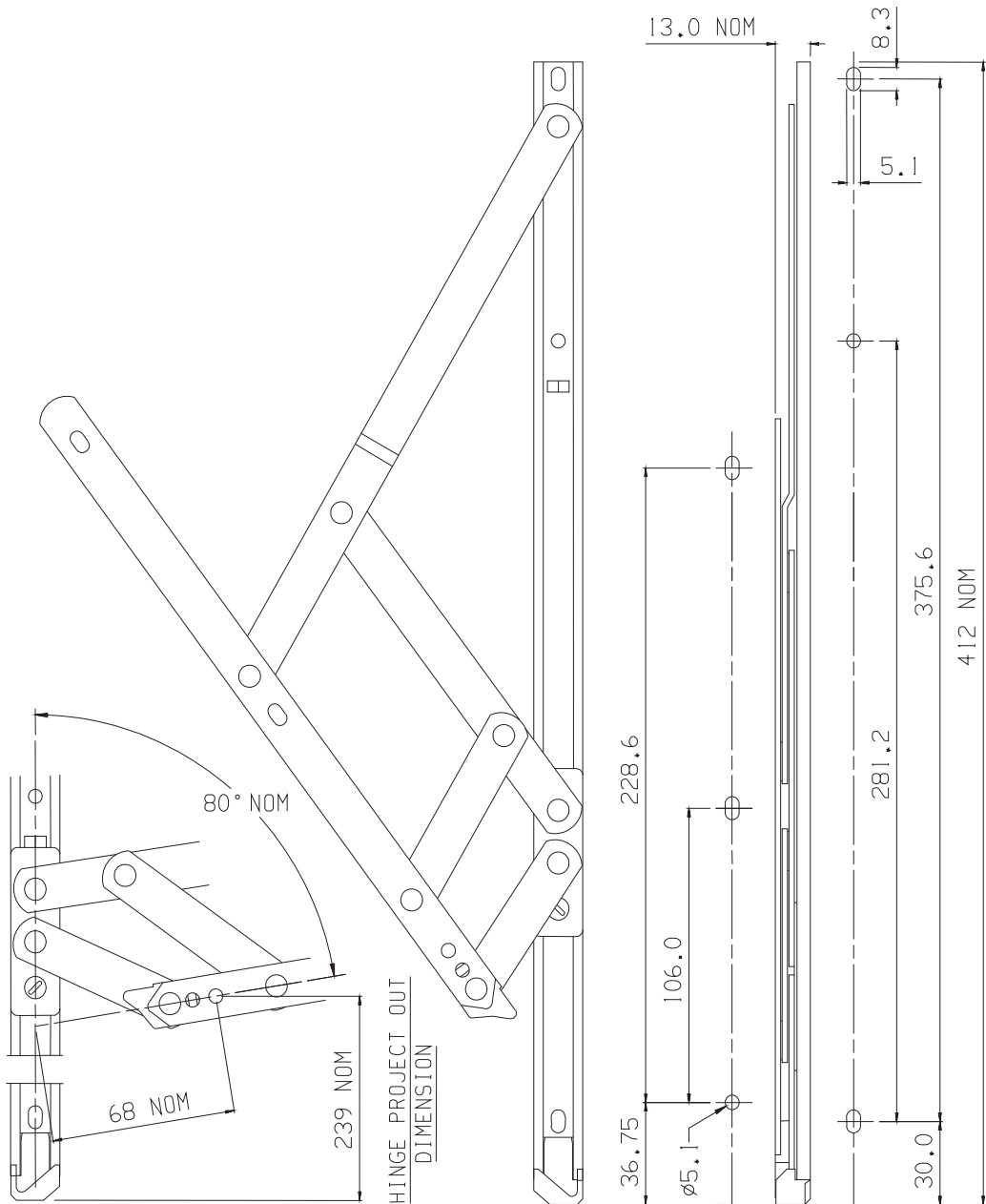
# HINGES

DEFENDER® HINGES

SECTION 1.2 SHEET 5 of 17

ISSUE: May, 2003

## ASSEMBLY SHEET – DT16 Top Hung Hinge



Hinge Code	Max. Vent Weight (Kg)	Min. Vent Height (mm)	Max. Vent Height (mm)	Max. Vent Width (mm)	Hardware Cavity (mm)
DT16	21	500	750	See profile manufacturers recommendations	13 - 14

**Not to Scale, All dimensions in mm**

It is the responsibility of the user to ensure that this document is at the latest issue.

Due to our policy of continual product improvement we reserve the right to alter specifications without notice.

It is the responsibility of the window manufacturer to ensure that the finished window meets the required performance and safety specification.

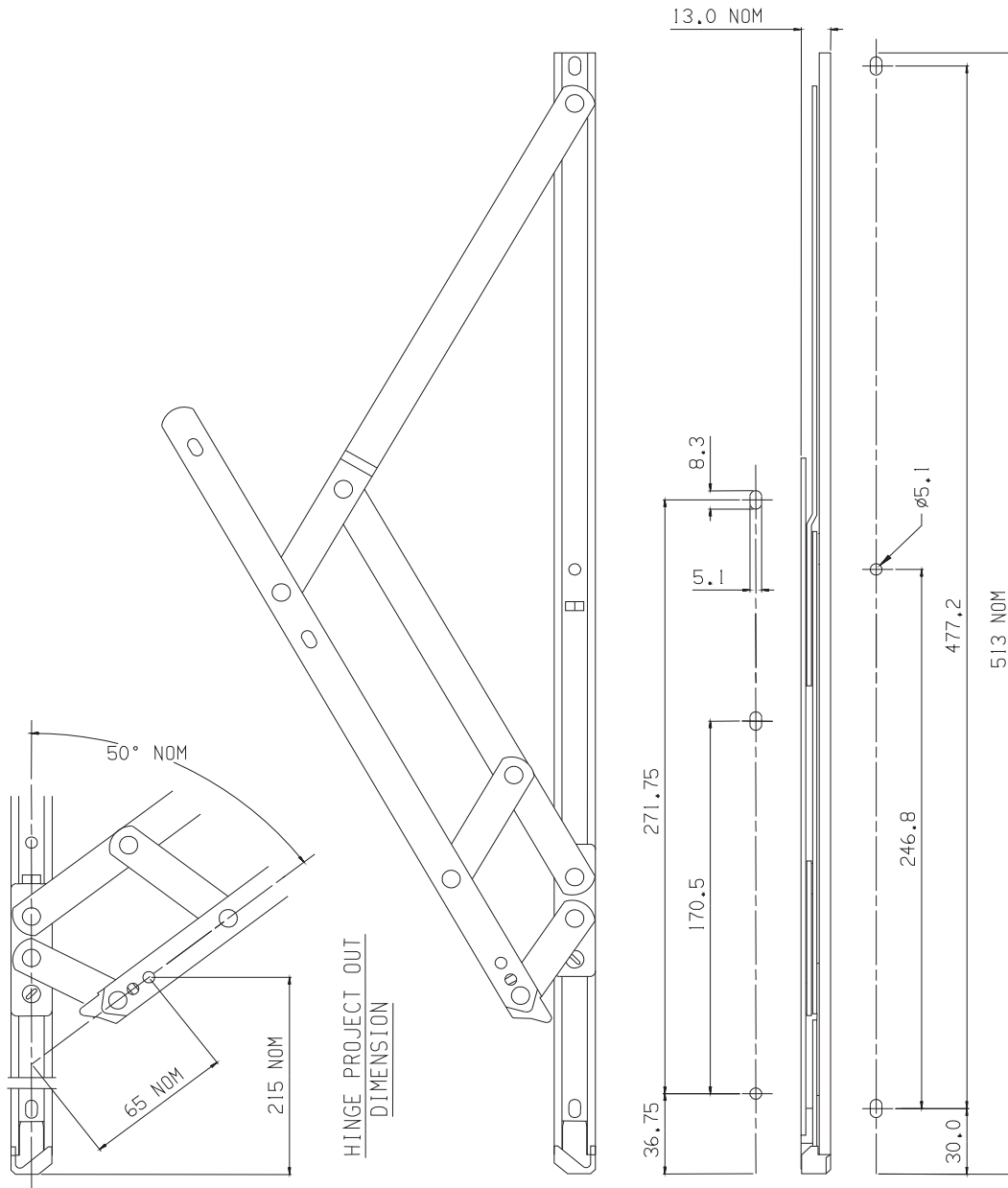
© SECURISTYLE LTD 2003



Securistyle Ltd.  
Kingsmead Industrial Estate  
Princess Elizabeth Way, Cheltenham,  
Gloucestershire, GL51 7RE  
Tel: +44 (0) 1242 221200  
Fax: +44 (0) 1242 520828  
Web: www.securistyle.co.uk

# HINGES

## ASSEMBLY SHEET – DT20 Top Hung Hinge



Hinge Code	Max. Vent Weight (Kg)	Min. Vent Height (mm)	Max. Vent Height (mm)	Max. Vent Width (mm)	Hardware Cavity (mm)
DT20	24	700	1000	See profile manufacturers recommendations	13 - 14

**Not to Scale, All dimensions in mm**

It is the responsibility of the user to ensure that this document is at the latest issue.

Due to our policy of continual product improvement we reserve the right to alter specifications without notice.

It is the responsibility of the window manufacturer to ensure that the finished window meets the required performance and safety specification.

© SECURISTYLE LTD 2003



Securistyle Ltd.  
Kingsmead Industrial Estate  
Princess Elizabeth Way, Cheltenham,  
Gloucestershire, GL51 7RE  
Tel: +44 (0) 1242 221200  
Fax: +44 (0) 1242 520828  
Web: www.securistyle.co.uk

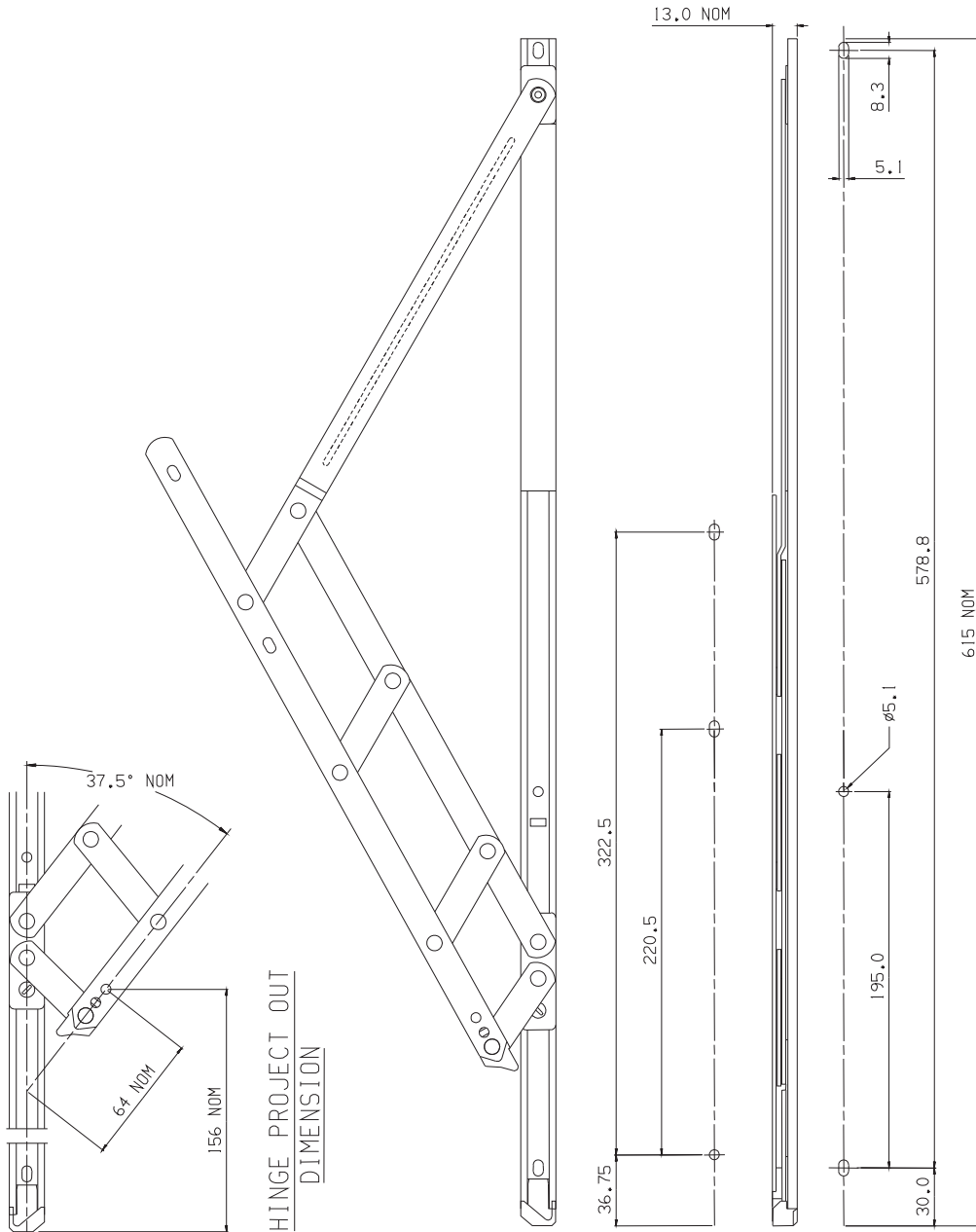
# HINGES

DEFENDER® HINGES

SECTION 1.2 SHEET 7 of 17

ISSUE: May, 2003

## ASSEMBLY SHEET – DT24 Top Hung Hinge



Hinge Code	Max. Vent Weight (Kg)	Min. Vent Height (mm)	Max. Vent Height (mm)	Max. Vent Width (mm)	Hardware Cavity (mm)
DT24	35	850	1200	See profile manufacturers recommendations	13 - 14

**Not to Scale, All dimensions in mm**

It is the responsibility of the user to ensure that this document is at the latest issue.

Due to our policy of continual product improvement we reserve the right to alter specifications without notice.

It is the responsibility of the window manufacturer to ensure that the finished window meets the required performance and safety specification.

© SECURISTYLE LTD 2003



Securistyle Ltd.  
Kingsmead Industrial Estate  
Princess Elizabeth Way, Cheltenham,  
Gloucestershire, GL51 7RE  
Tel: +44 (0) 1242 221200  
Fax: +44 (0) 1242 520828  
Web: www.securistyle.co.uk

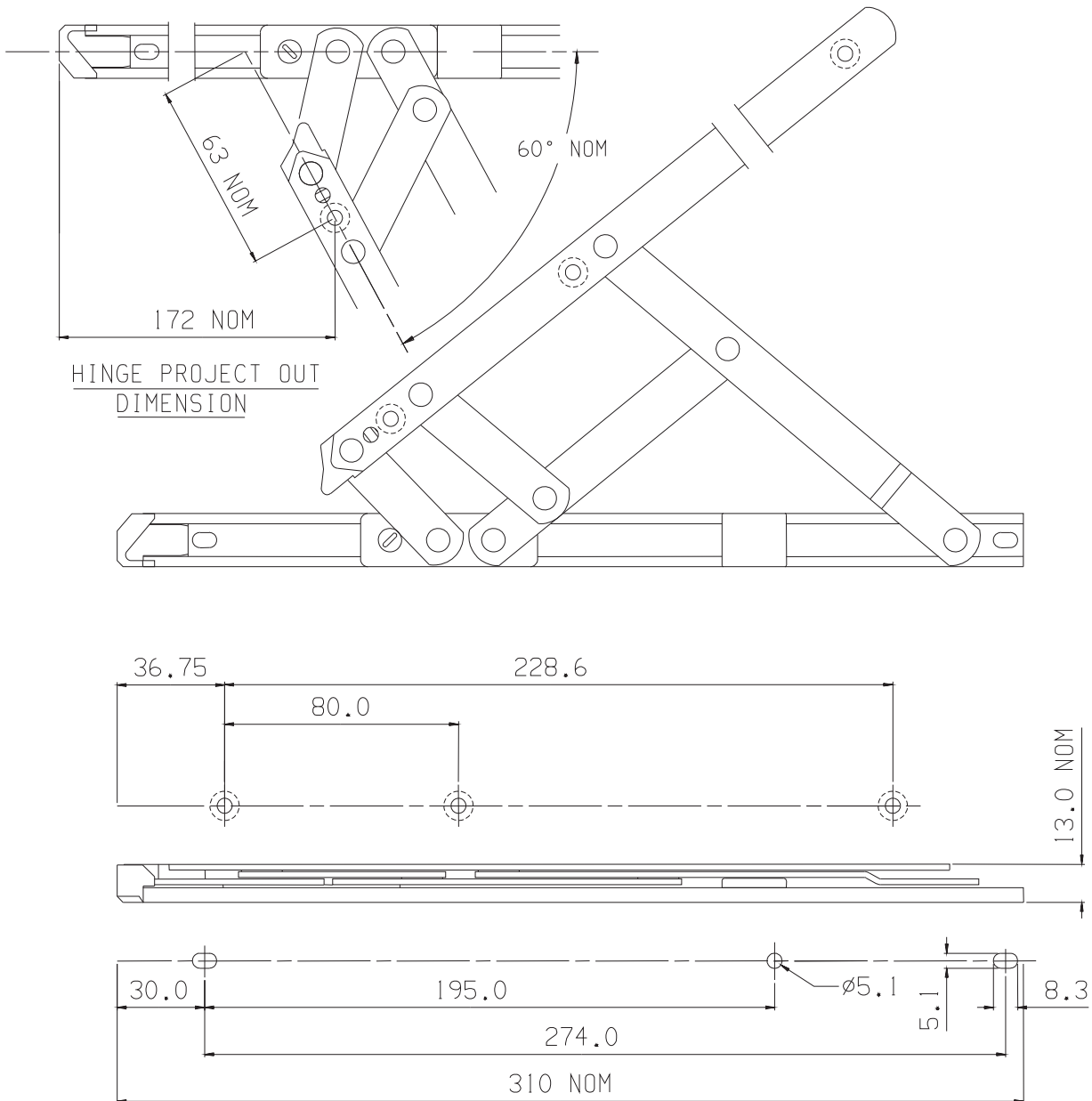
# HINGES

DEFENDER® HINGES

SECTION 1.2 SHEET 8 of 17

ISSUE: May, 2003

## ASSEMBLY SHEET - DS12 & DCS12 Side Hung Hinges



Hinge Code	Max. Vent Weight (Kg)	Min. Vent Width (mm)	Max. Vent Width (mm)	Max. Vent Height (mm)	Hardware Cavity (mm)
DS12 & DCS12	22	300	600	See profile manufacturers recommendations	13 - 14

**Not to Scale, All dimensions in mm**

It is the responsibility of the user to ensure that this document is at the latest issue.

Due to our policy of continual product improvement we reserve the right to alter specifications without notice.

It is the responsibility of the window manufacturer to ensure that the finished window meets the required performance and safety specification.

© SECURISTYLE LTD 2003

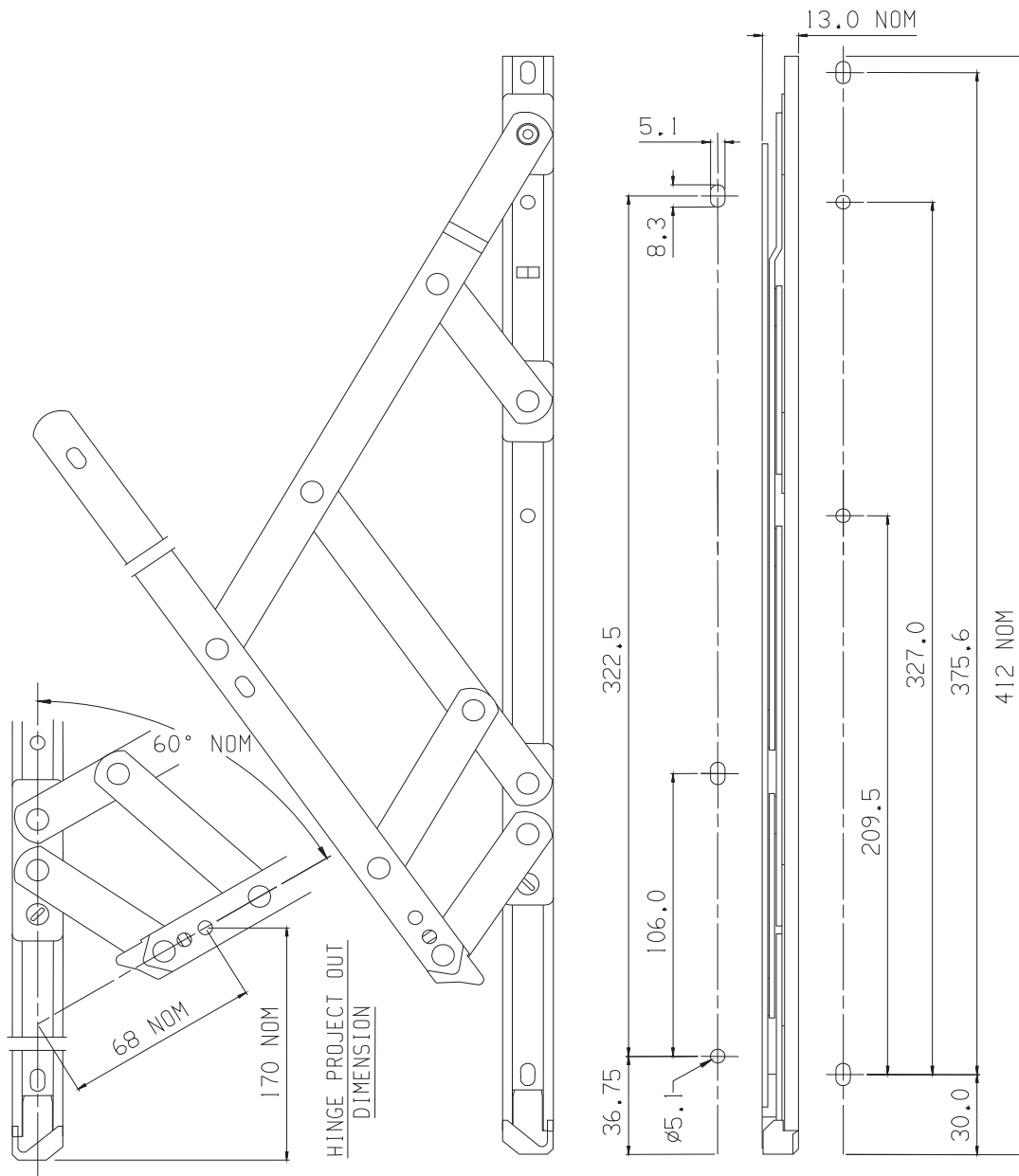


Securistyle Ltd.  
Kingsmead Industrial Estate  
Princess Elizabeth Way, Cheltenham,  
Gloucestershire, GL51 7RE  
Tel: +44 (0) 1242 221200  
Fax: +44 (0) 1242 520828  
Web: www.securistyle.co.uk



# HINGES

## ASSEMBLY SHEET – DS16 Side Hung Hinge



Hinge Code	Max. Vent Weight (Kg)	Min. Vent Width (mm)	Max. Vent Width (mm)	Max. Vent Height (mm)	Hardware Cavity (mm)
DS16	24	400	700	See profile manufacturers recommendations	13 - 14

**Not to Scale, All dimensions in mm**

It is the responsibility of the user to ensure that this document is at the latest issue.

Due to our policy of continual product improvement we reserve the right to alter specifications without notice.

It is the responsibility of the window manufacturer to ensure that the finished window meets the required performance and safety specification.

© SECURISTYLE LTD 2003



Securistyle Ltd.  
Kingsmead Industrial Estate  
Princess Elizabeth Way, Cheltenham,  
Gloucestershire, GL51 7RE  
Tel: +44 (0) 1242 221200  
Fax: +44 (0) 1242 520828  
Web: www.securistyle.co.uk

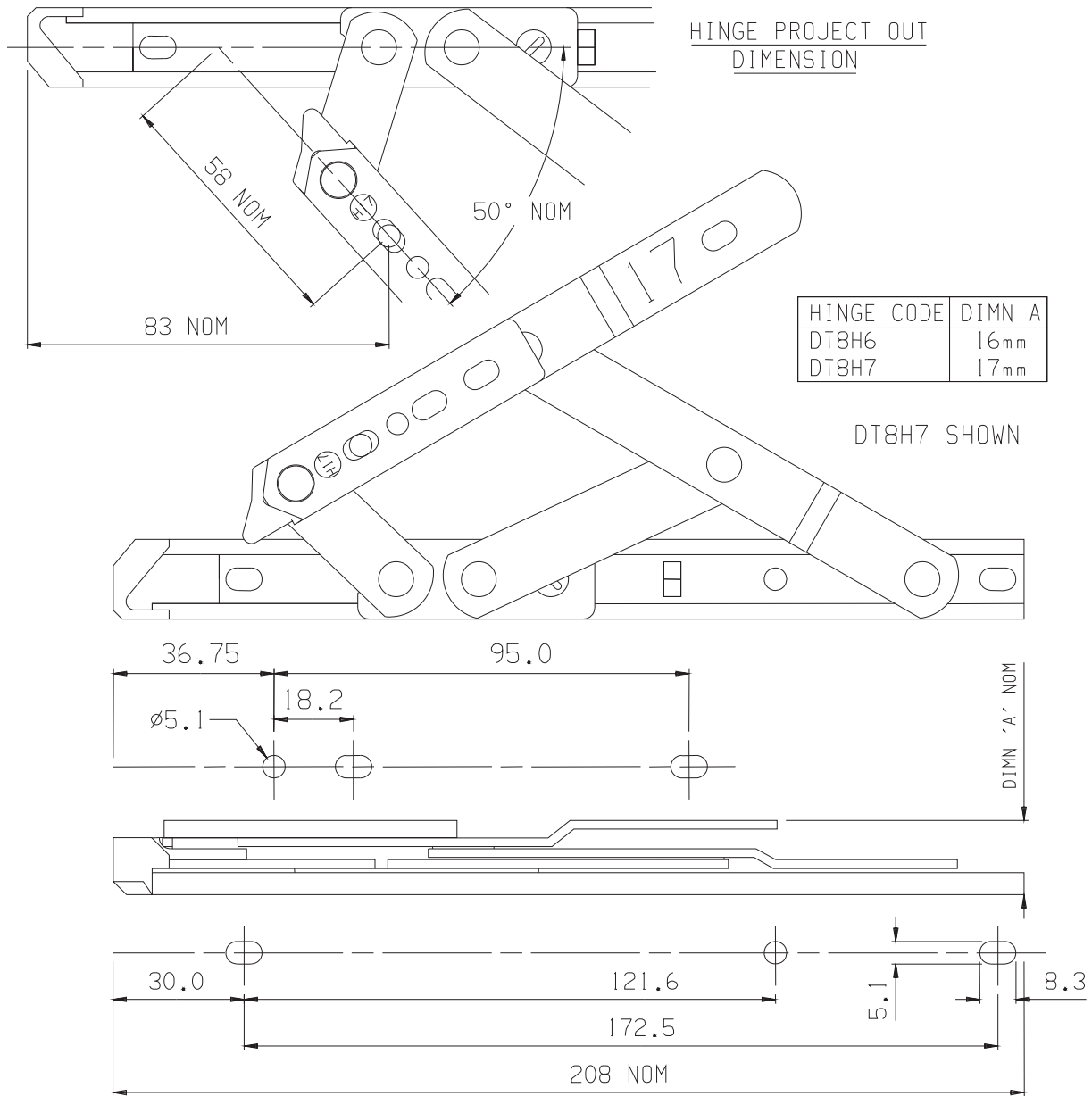
# HINGES

DEFENDER® HINGES

SECTION 1.2 SHEET 10 of 17

ISSUE: May, 2003

## ASSEMBLY SHEET – DT8H6/H7 Top Hung Highline Hinges



Hinge Code	Max. Vent Weight (Kg)	Min. Vent Height (mm)	Max. Vent Height (mm)	Max. Vent Width (mm)	Hardware Cavity (mm)
DT8H6/H7	12	200	350	See profile manufacturers recommendations	"A" +1/-0

**Not to Scale, All dimensions in mm**

It is the responsibility of the user to ensure that this document is at the latest issue.

Due to our policy of continual product improvement we reserve the right to alter specifications without notice.

It is the responsibility of the window manufacturer to ensure that the finished window meets the required performance and safety specification.

© SECURISTYLE LTD 2003



Securistyle Ltd.  
Kingsmead Industrial Estate  
Princess Elizabeth Way, Cheltenham,  
Gloucestershire, GL51 7RE  
Tel: +44 (0) 1242 221200  
Fax: +44 (0) 1242 520828  
Web: www.securistyle.co.uk

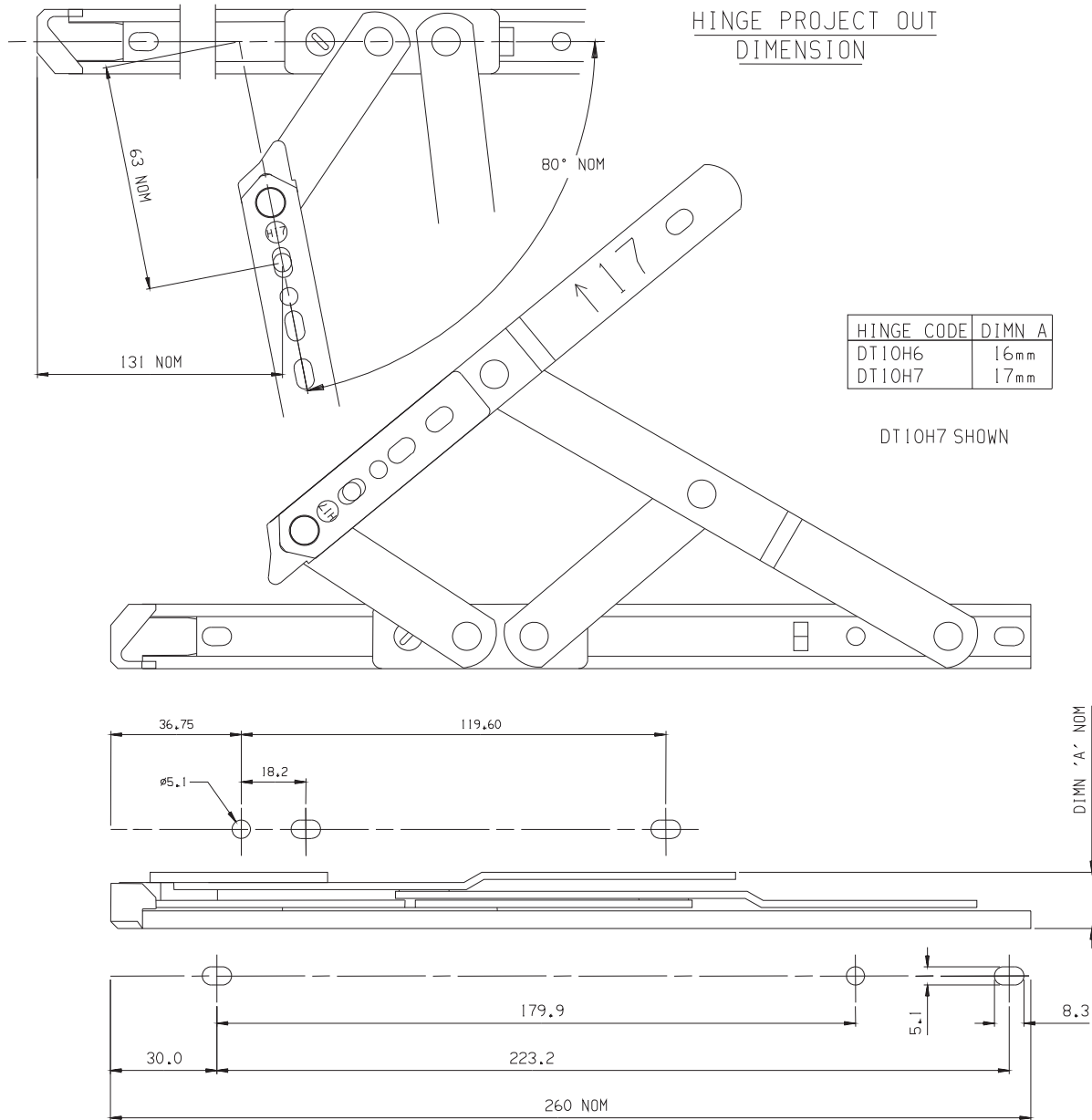
# HINGES

DEFENDER® HINGES

SECTION 1.2 SHEET 11 of 17

ISSUE: May, 2003

## ASSEMBLY SHEET – DT10H6/H7 Top Hung Highline Hinges



Hinge Code	Max. Vent Weight (Kg)	Min. Vent Height (mm)	Max. Vent Height (mm)	Max. Vent Width (mm)	Hardware Cavity (mm)
DT10H6/H7	16	275	400	See profile manufacturers recommendations	"A" +1/-0

**Not to Scale, All dimensions in mm**

It is the responsibility of the user to ensure that this document is at the latest issue.

Due to our policy of continual product improvement we reserve the right to alter specifications without notice.

It is the responsibility of the window manufacturer to ensure that the finished window meets the required performance and safety specification.

© SECURISTYLE LTD 2003



Securistyle Ltd.  
Kingsmead Industrial Estate  
Princess Elizabeth Way, Cheltenham,  
Gloucestershire, GL51 7RE  
Tel: +44 (0) 1242 221200  
Fax: +44 (0) 1242 520828  
Web: www.securistyle.co.uk

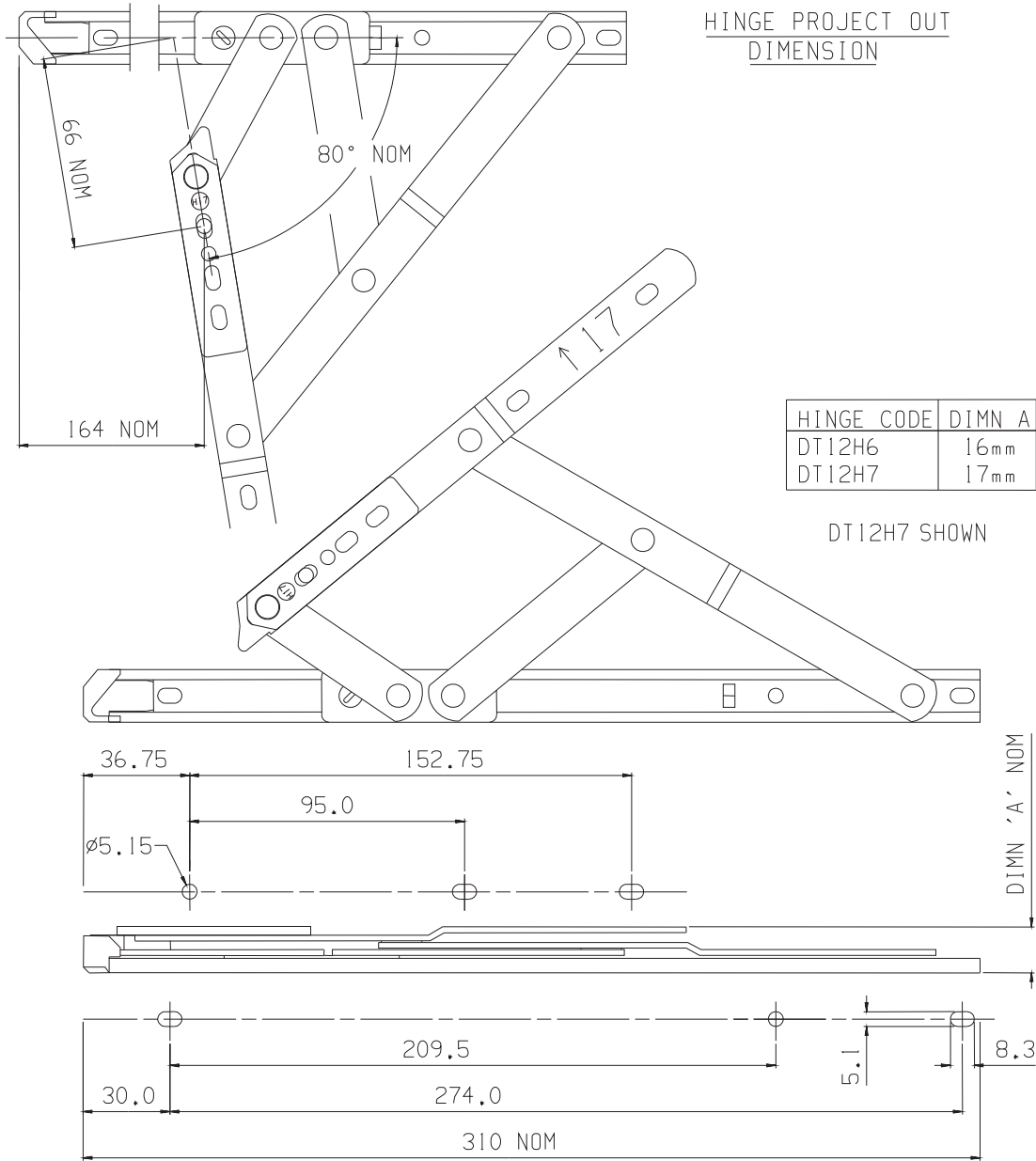
# HINGES

DEFENDER® HINGES

SECTION 1.2 SHEET 12 of 17

ISSUE: May, 2003

## ASSEMBLY SHEET – DT12H6/H7 Top Hung Highline Hinges



Hinge Code	Max. Vent Weight (Kg)	Min. Vent Height (mm)	Max. Vent Height (mm)	Max. Vent Width (mm)	Hardware Cavity (mm)
DT12H6/H7	20	350	550	See profile manufacturers recommendations	"A" +1/-0

**Not to Scale, All dimensions in mm**

It is the responsibility of the user to ensure that this document is at the latest issue.

Due to our policy of continual product improvement we reserve the right to alter specifications without notice.

It is the responsibility of the window manufacturer to ensure that the finished window meets the required performance and safety specification.

© SECURISTYLE LTD 2003



Securistyle Ltd.  
Kingsmead Industrial Estate  
Princess Elizabeth Way, Cheltenham,  
Gloucestershire, GL51 7RE  
Tel: +44 (0) 1242 221200  
Fax: +44 (0) 1242 520828  
Web: www.securistyle.co.uk

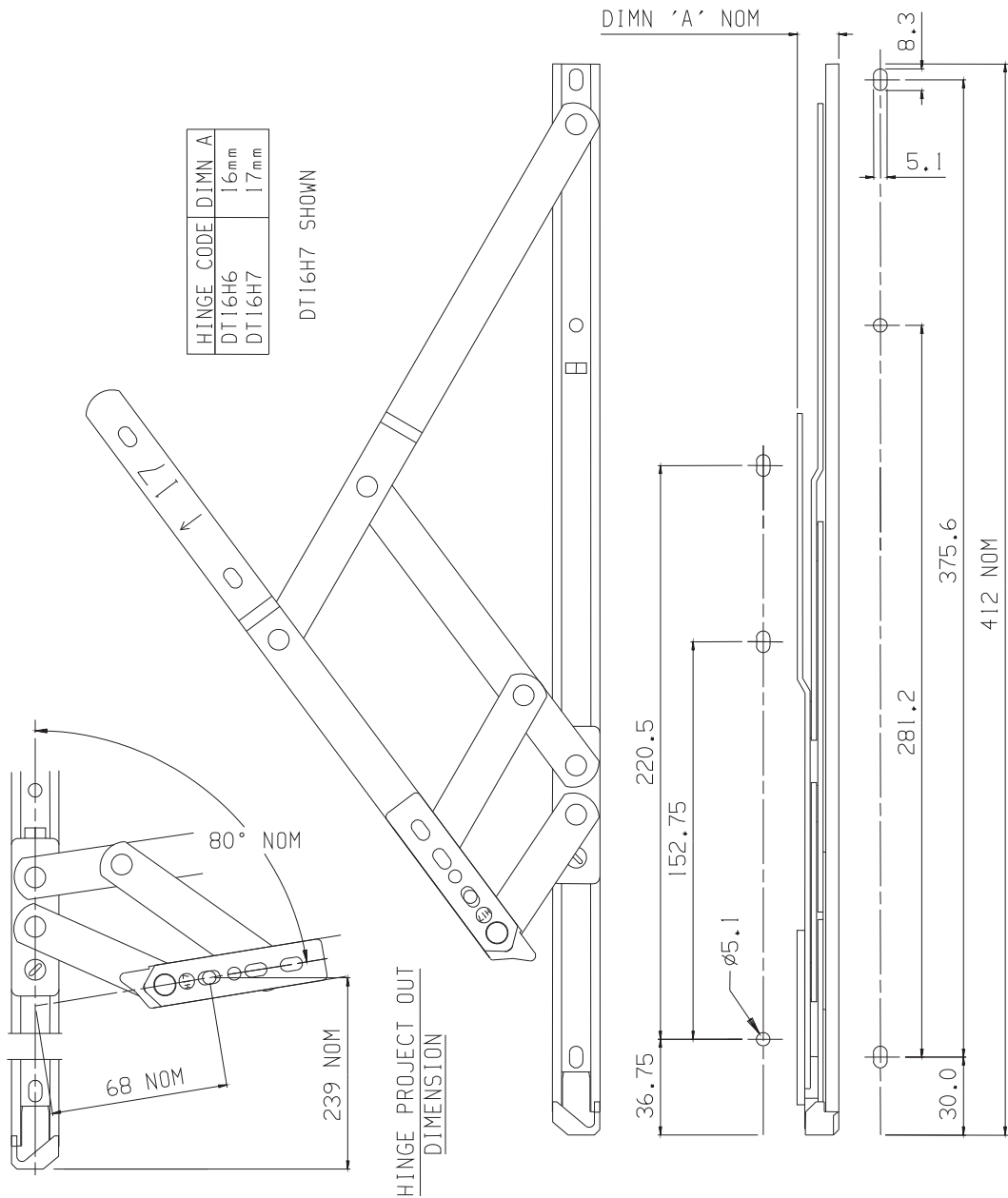
# HINGES

DEFENDER® HINGES

SECTION 1.2 SHEET 13 of 17

ISSUE: May, 2003

## ASSEMBLY SHEET – DT16H6/H7 Top Hung Highline Hinges



Hinge Code	Max. Vent Weight (Kg)	Min. Vent Height (mm)	Max. Vent Height (mm)	Max. Vent Width (mm)	Hardware Cavity (mm)
DT16H6/H7	21	500	750	See profile manufacturers recommendations	"A" +1/-0

**Not to Scale, All dimensions in mm**

It is the responsibility of the user to ensure that this document is at the latest issue.

Due to our policy of continual product improvement we reserve the right to alter specifications without notice.

It is the responsibility of the window manufacturer to ensure that the finished window meets the required performance and safety specification.

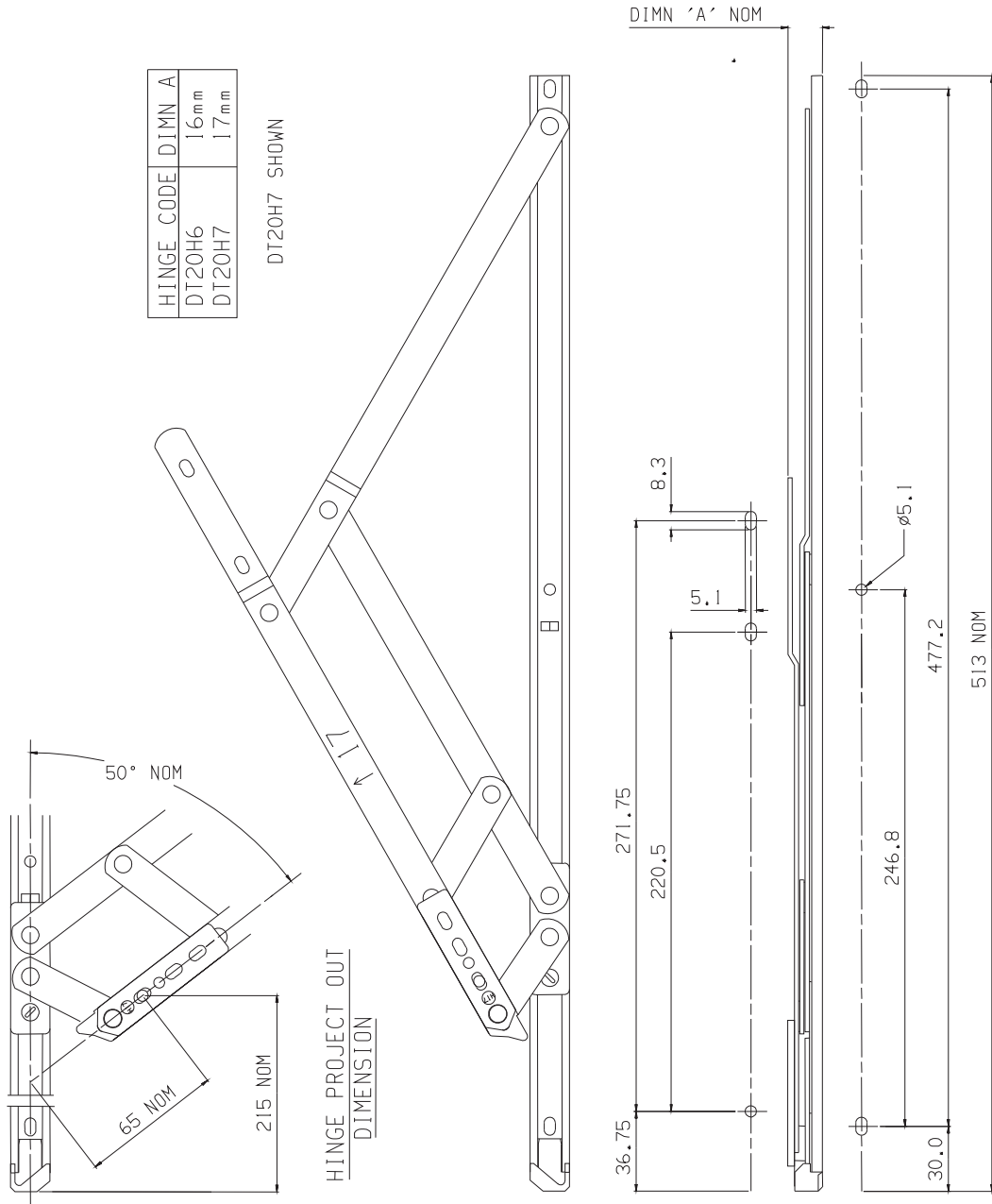
© SECURISTYLE LTD 2003



Securistyle Ltd.  
Kingsmead Industrial Estate  
Princess Elizabeth Way, Cheltenham,  
Gloucestershire, GL51 7RE  
Tel: +44 (0) 1242 221200  
Fax: +44 (0) 1242 520828  
Web: www.securistyle.co.uk

# HINGES

## ASSEMBLY SHEET – DT20H6/H7 Top Hung Highline Hinges



Hinge Code	Max. Vent Weight (Kg)	Min. Vent Height (mm)	Max. Vent Height (mm)	Max. Vent Width (mm)	Hardware Cavity (mm)
DT20H6/H7	24	700	1000	See profile manufacturers recommendations	"A" +1/-0

**Not to Scale, All dimensions in mm**

It is the responsibility of the user to ensure that this document is at the latest issue.

Due to our policy of continual product improvement we reserve the right to alter specifications without notice.

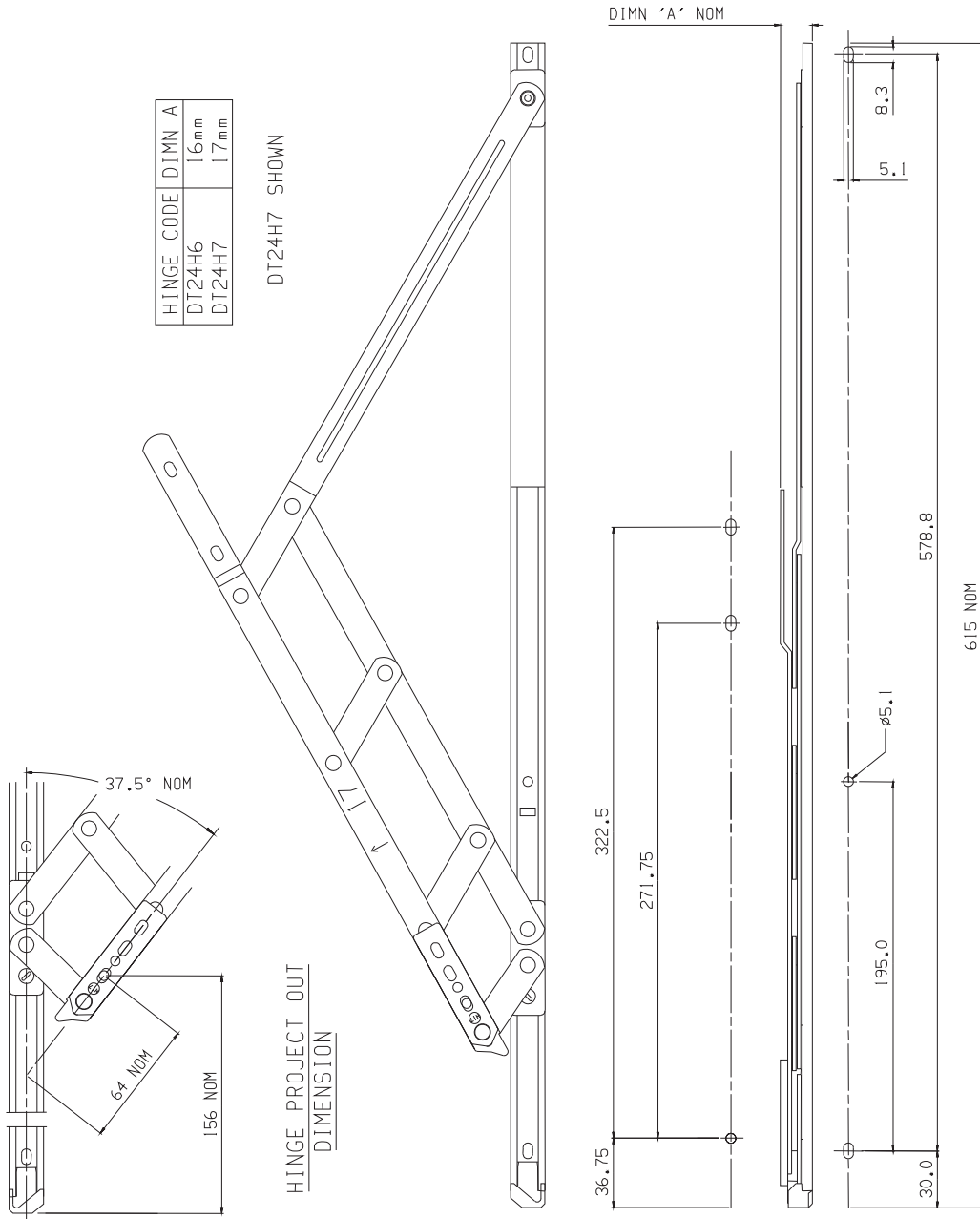
It is the responsibility of the window manufacturer to ensure that the finished window meets the required performance and safety specification.



Securistyle Ltd.  
Kingsmead Industrial Estate  
Princess Elizabeth Way, Cheltenham,  
Gloucestershire, GL51 7RE  
Tel: +44 (0) 1242 221200  
Fax: +44 (0) 1242 520828  
Web: www.securistyle.co.uk

# HINGES

## ASSEMBLY SHEET – DT24H6/H7 Top Hung Highline Hinges



Hinge Code	Max. Vent Weight (Kg)	Min. Vent Height (mm)	Max. Vent Height (mm)	Max. Vent Width (mm)	Hardware Cavity (mm)
DT24H6/H7	35	850	1200	See profile manufacturers recommendations	"A" +1/-0

**Not to Scale, All dimensions in mm**

It is the responsibility of the user to ensure that this document is at the latest issue.

Due to our policy of continual product improvement we reserve the right to alter specifications without notice.

It is the responsibility of the window manufacturer to ensure that the finished window meets the required performance and safety specification.

© SECURISTYLE LTD 2003



Securistyle Ltd.  
Kingsmead Industrial Estate  
Princess Elizabeth Way, Cheltenham,  
Gloucestershire, GL51 7RE  
Tel: +44 (0) 1242 221200  
Fax: +44 (0) 1242 520828  
Web: www.securistyle.co.uk

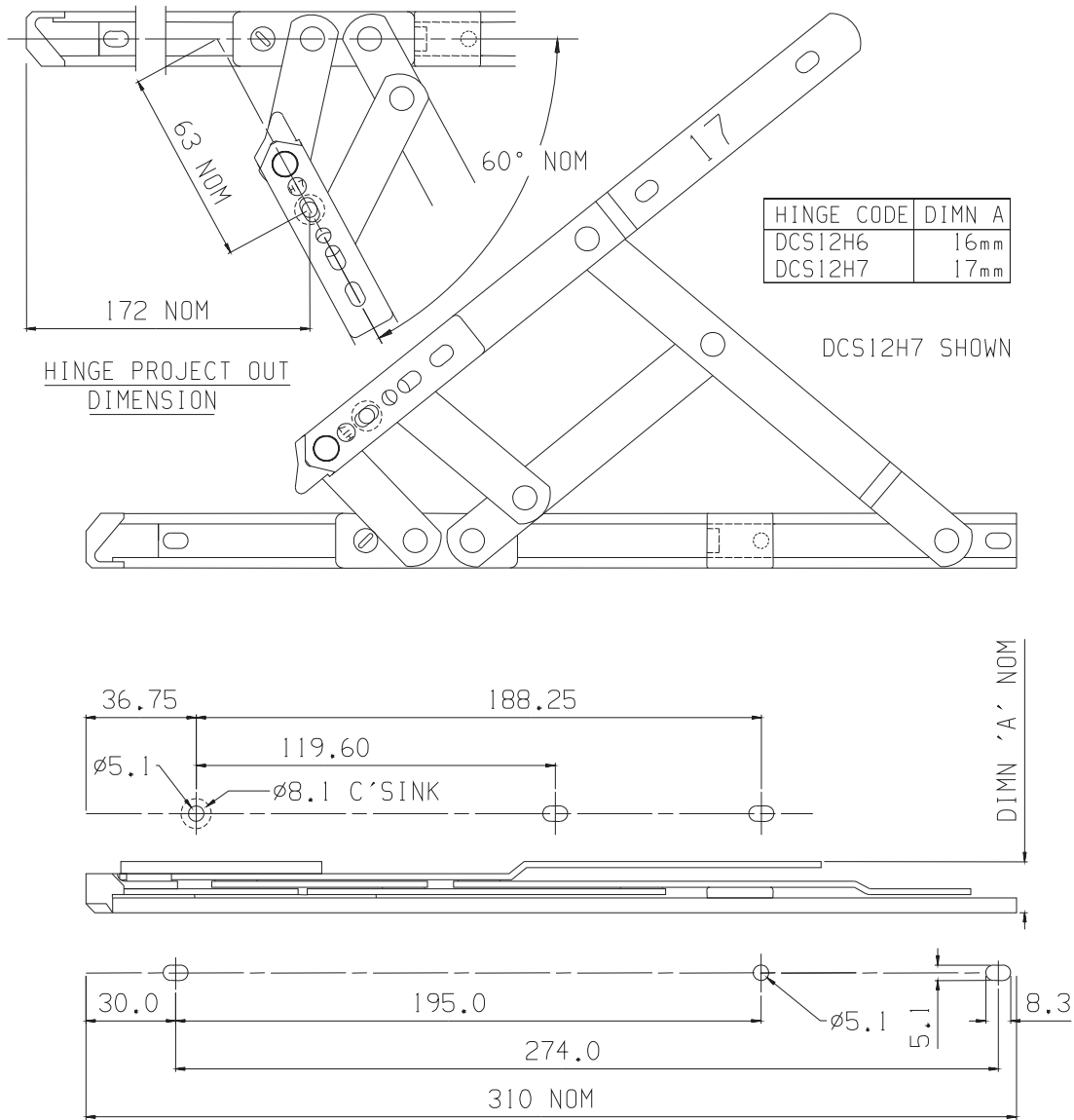
# HINGES

DEFENDER® HINGES

SECTION 1.2 SHEET 16 of 17

ISSUE: May, 2003

## ASSEMBLY SHEET – DCS12H6/H7 Side Hung Highline Hinges



Hinge Code	Max. Vent Weight (Kg)	Min. Vent Width (mm)	Max. Vent Width (mm)	Max. Vent Height (mm)	Hardware Cavity (mm)
DCS12H6/H7	22	300	600	See profile manufacturers recommendations	"A" +1/-0

**Not to Scale, All dimensions in mm**

It is the responsibility of the user to ensure that this document is at the latest issue.

Due to our policy of continual product improvement we reserve the right to alter specifications without notice.

It is the responsibility of the window manufacturer to ensure that the finished window meets the required performance and safety specification.

© SECURISTYLE LTD 2003



Securistyle Ltd.  
Kingsmead Industrial Estate  
Princess Elizabeth Way, Cheltenham,  
Gloucestershire, GL51 7RE  
Tel: +44 (0) 1242 221200  
Fax: +44 (0) 1242 520828  
Web: www.securistyle.co.uk



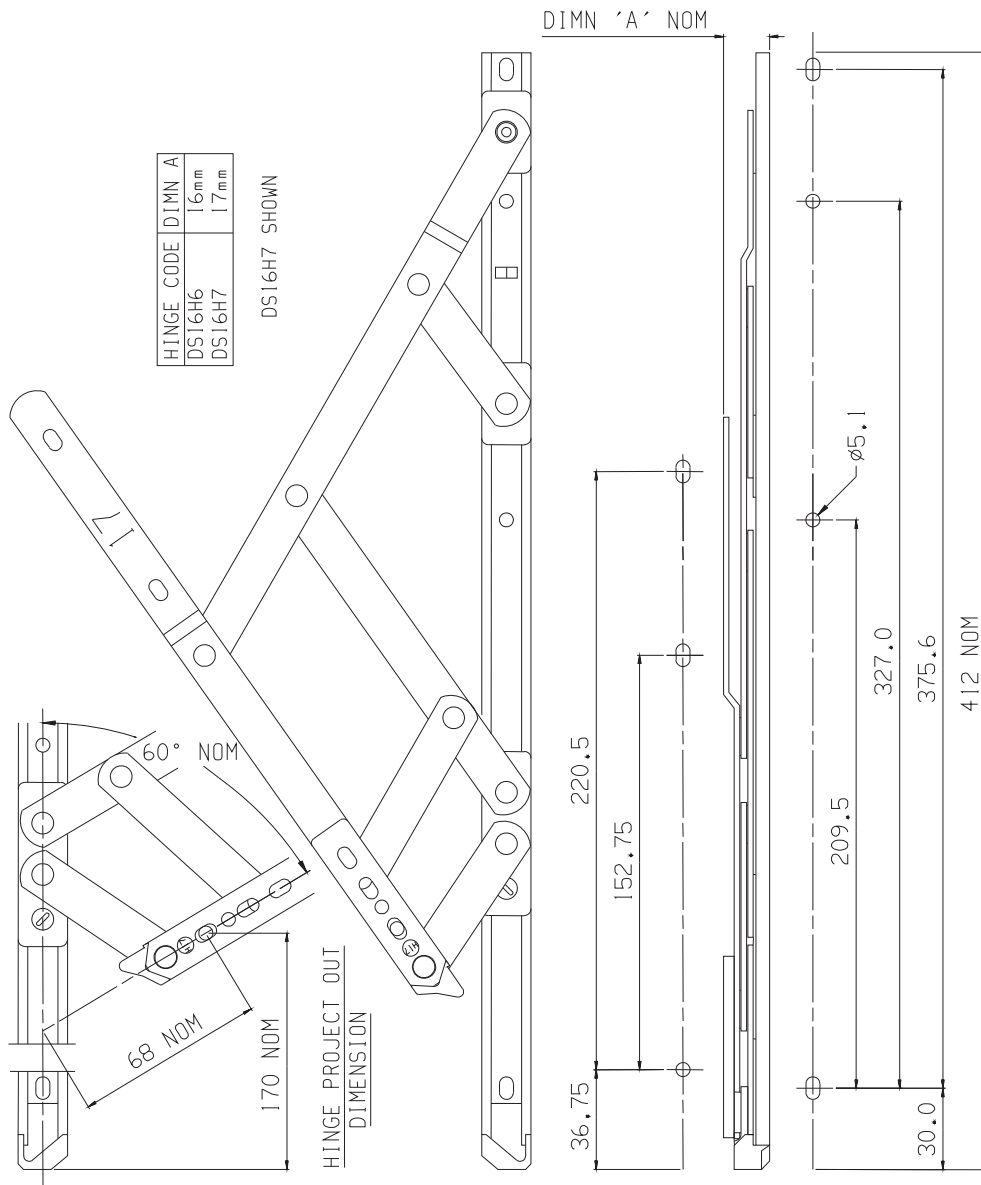
# HINGES

DEFENDER® HINGES

SECTION 1.2 SHEET 17 of 17

ISSUE: May, 2003

## ASSEMBLY SHEET – DS16H6/H7 Side Hung Highline Hinges



Hinge Code	Max. Vent Weight (Kg)	Min. Vent Width (mm)	Max. Vent Width (mm)	Max. Vent Height (mm)	Hardware Cavity (mm)
DS16H6/H7	24	400	700	See profile manufacturers recommendations	"A" +1/-0

**Not to Scale, All dimensions in mm**

It is the responsibility of the user to ensure that this document is at the latest issue.

Due to our policy of continual product improvement we reserve the right to alter specifications without notice.

It is the responsibility of the window manufacturer to ensure that the finished window meets the required performance and safety specification.

© SECURISTYLE LTD 2003



Securistyle Ltd.  
Kingsmead Industrial Estate  
Princess Elizabeth Way, Cheltenham,  
Gloucestershire, GL51 7RE  
Tel: +44 (0) 1242 221200  
Fax: +44 (0) 1242 520828  
Web: www.securistyle.co.uk