

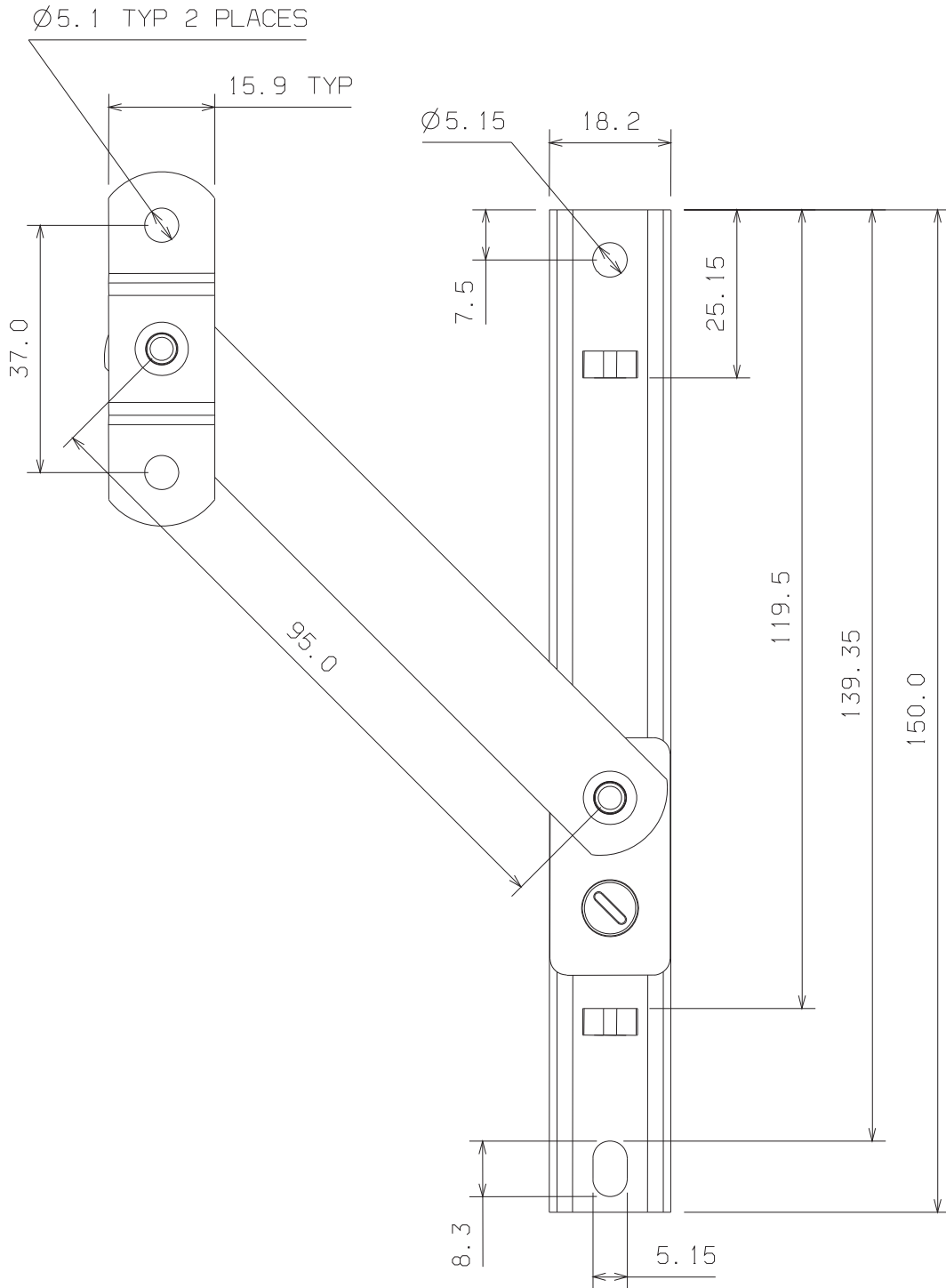
ANCILLARY DEVICES

RESTRICTOR STAYS

SECTION 2.4 SHEET 1 of 11

ISSUE: May, 2003

ASSEMBLY SHEET - RS4 Restrictor Stay



Not to Scale, All dimensions in mm



It is the responsibility of the user to ensure that this document is at the latest issue.

Due to our policy of continual product improvement we reserve the right to alter specifications without notice.

It is the responsibility of the window manufacturer to ensure that the finished window meets the required performance and safety specification.

© SECURISTYLE LTD 2003

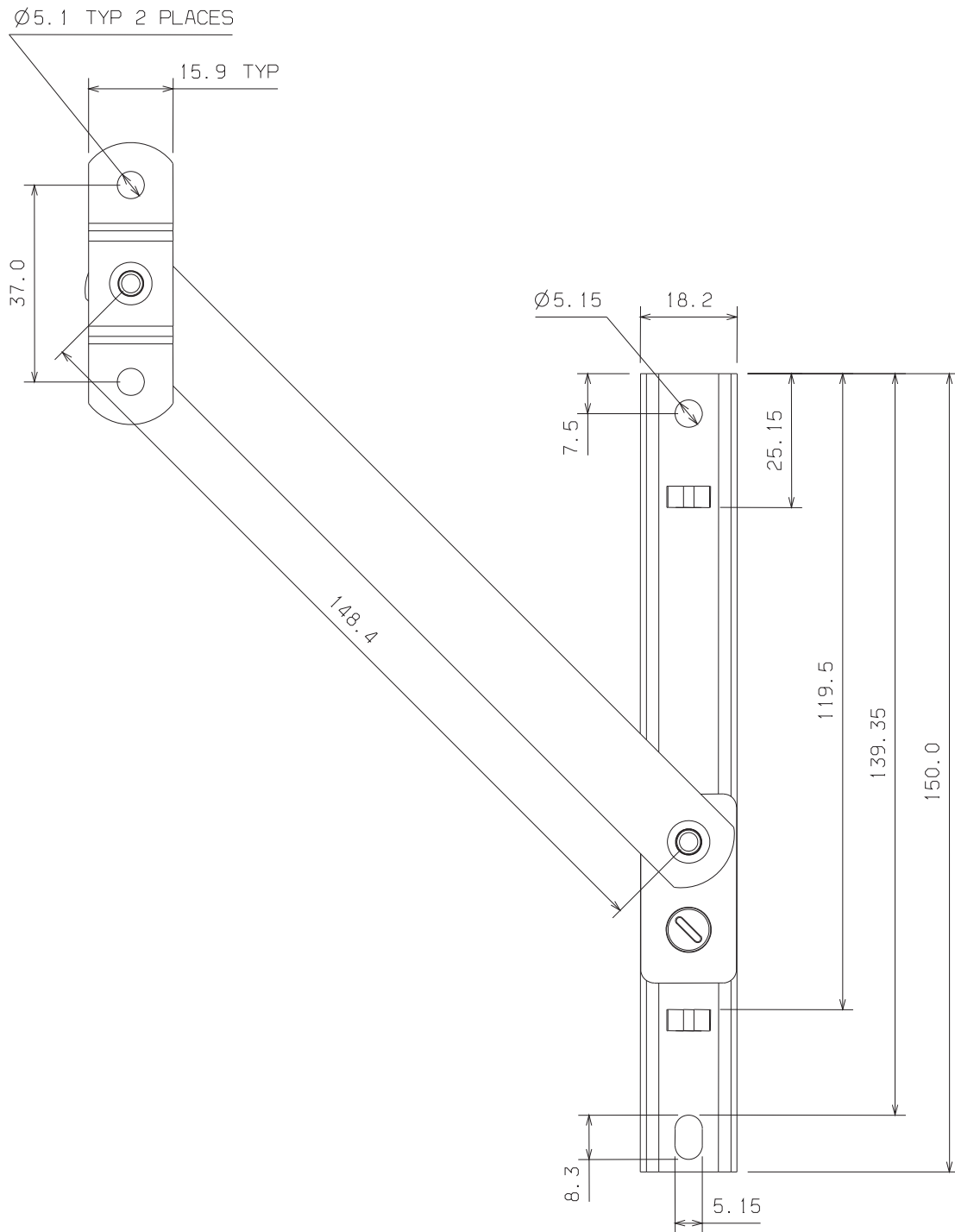
ANCILLARY DEVICES

RESTRICTOR STAYS

SECTION 2.4 SHEET 2 of 11

ISSUE: May, 2003

ASSEMBLY SHEET - RS6 Restrictor Stay



Not to Scale, All dimensions in mm



It is the responsibility of the user to ensure that this document is at the latest issue.

Due to our policy of continual product improvement we reserve the right to alter specifications without notice.

It is the responsibility of the window manufacturer to ensure that the finished window meets the required performance and safety specification.

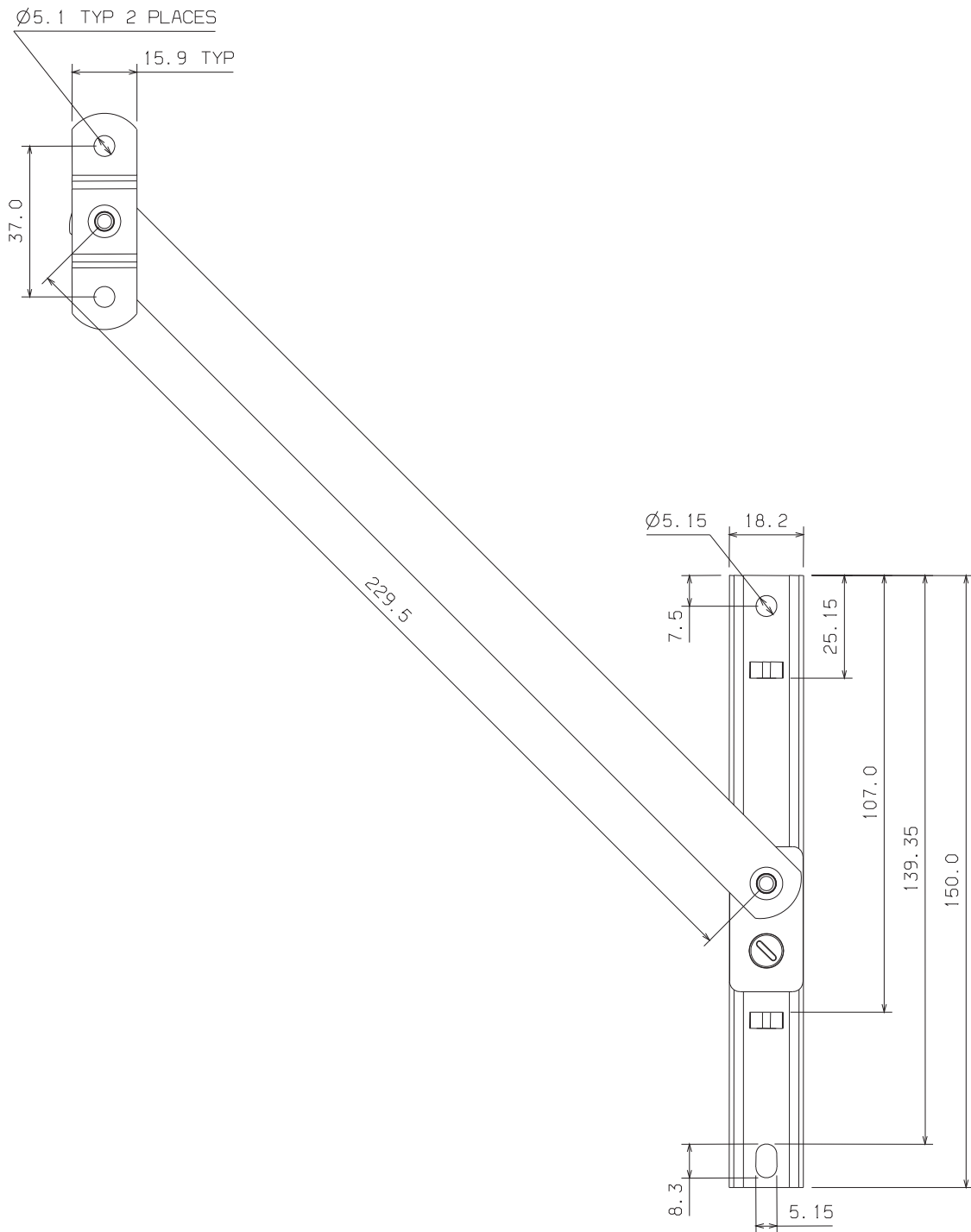
ANCILLARY DEVICES

RESTRICTOR STAYS

SECTION 2.4 SHEET 3 of 11

ISSUE: May, 2003

ASSEMBLY SHEET - RS9 Restrictor Stay



Not to Scale, All dimensions in mm



It is the responsibility of the user to ensure that this document is at the latest issue.

Due to our policy of continual product improvement we reserve the right to alter specifications without notice.

It is the responsibility of the window manufacturer to ensure that the finished window meets the required performance and safety specification.